

STEARN

Your Other Warehouse

100 *years*
1924 - 2024



FOR ALL YOUR
WIRING ACCESSORY
NEEDS



BYRON WIRELESS RANGES

Quick and easy to install as no wiring is required. Choose a model that suits you best: **portable, plug-in, plug-through and twin packs.**

- ✓ Kinetic bell push; no batteries required
- ✓ Plug-in doorbell with 16 melodies
- ✓ 100 metres operating range

White	Black	
DBY-23442BS	DBY-23452BS	Single
DBY-23445BS	DBY-23455BS	Twin Pack

KINETIC DOORBELL

DBY-23452BS ▶



- ✓ 150 metres operating range
- ✓ 16 melodies

White	Also available in black	
DBY-22311	DBY-22351BS	Portable
DBY-22312UK	DBY-22352BS	Plug-in
DBY-22313UK		Plug-through
DBY-22314UK	DBY-22354BS	Twin pack
DBY-22317UK		Set of two plug-ins

22311 ▶



- ✓ Grey mesh finish and visual alert
- ✓ 150 metres operating range
- ✓ 16 melodies
- ✓ Available as portable, plug-in or twin pack

22321 ▶



DBY-22321	Portable
DBY-22322UK	Plug-in
DBY-22324UK	Portable and plug-in twin pack

- ✓ Extra long 200-metre operating range
- ✓ 16 melodies
- ✓ Extra loud 90 dB

23561 ▶



DBY-23561BS	Battery
DBY-23562BS	Plug-in
DBY-23564BS	Twin pack

- ✓ Additional bell push compatible with any DBY wireless doorbell
- ✓ LED indication after pressing
- ✓ Battery included

23510 ▶



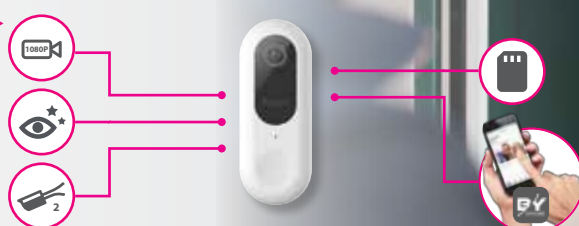
DBY-23510 White bell push

- ✓ HD 1080p camera
- ✓ BYHome App compatible; communicate with your visitors using your smartphone
- ✓ SD card included
- ✓ No monthly subscription

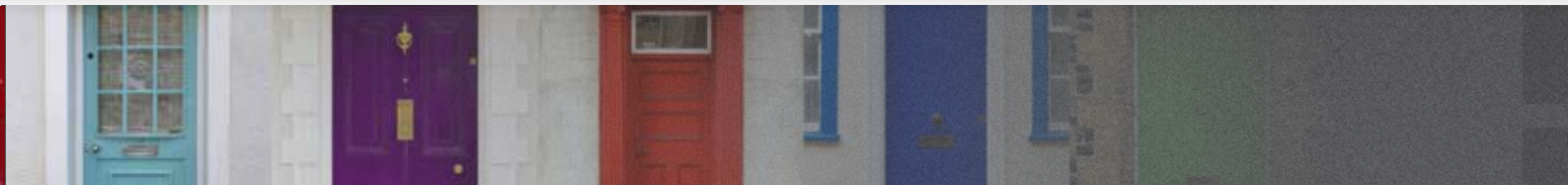
DIC-23712 ▶



WIRED WI-FI VIDEO DOORBELL



DIC-23712 Wired Wi-Fi Video Doorbell



BYRON **WIRED** RANGES. CHOOSE FROM CLASSIC AND TRADITIONAL DESIGNS

- ✓ Classic bell sound
- ✓ Includes transformer



720K Wired doorbell kit

- ✓ Classic bell sound
- ✓ Requires either 8-12V AC transformer or 9V PP3 battery (not included)



DBW-24040 Wired chime

- ✓ Classic 'ding dong' sound
- ✓ Requires 4x C batteries (not included), a 8V 1 amp transformer for the Byron 7770



DBW-24032 Wired doorbell set

- ✓ Classic bell sound
- ✓ C2-wire connection
- ✓ Powered by internal transformer



DBW-23081 Wired doorbell set

- ✓ Classic bell sound
- ✓ 2-wire connection
- ✓ Powered by AC transformer or 9V battery



DBW-23061 Wired doorbell set

- ✓ 8V 1 amp transformer for powering a wired doorbell



DBW-29019 Transformer

- ✓ Includes cable clips



DBW-29029 9m Bell wire

BYRON **WIRED** BELL PUSHES



DBW-22012 Black plastic with illumination



DBW-22011 White plastic with illumination



DBW-22035 Brushed nickel with optional illumination



DBW-22033 Bright chrome with optional illumination



DBW-21026 Brushed nickel



DBW-21027 Brass



DBW-21028 Bright Chrome



DBW-21075 Round bell push in Bright Chrome



LED DIMMERS - Rotary and Push (Leading edge)

- Suitable for many dimmable LED lamps and fittings
- Adjustable spindle to specify minimum dim level to eliminate lamp instability

DPDLED Dimmer module, 1 or 2 way push switching, for retro-fitting onto many existing dimmer plates

DP1DLED 1 gang, 250W max. 1 or 2 way push switching, square plate

DP2DLED 2 gang, 250W max. per gang, 1 or 2 way push switching, square plate

DP3DLED 3 gang, 250W max. per gang, 1 or 2 way push switching, rectangular plate

DP4DLED 4 gang, 250W max. per gang, 1 or 2 way push switching, rectangular plate

QUIET GRID DIMMER MODULES (Trailing edge)

- Suitable for most mains dimmable LED lamps and fittings
- Multi point dimming using the matching slave switches
- Loading: 10-200W LED lamps and fittings (varies according LED driver manufacture)
- Loading: 40-400W Resistive, mains halogen or dimmable electronic transformer loads

DQDGMK400W Quiet dimmer module for MK Grid Plus, multi-way switching & dimming

DQDGDCB400W Quiet dimmer module for Crabtree grid, multi-way switching & dimming

DQDGDEU400W Quiet dimmer module for Eurodata plates, multi-way switching & dimming

RESLOADE 10W load resistor for use with non-resistive loads such as mains dimmable LED lamps



DIMMERS - Rotary and Push (Leading edge)

DP1D250W 1 gang, 40-250W, 1 or 2 way push switching

DP1D400W 1 gang, 60-400W, 1 or 2 way push switching

DP3D250W 3 gang, 40-250W per gang, 1 or 2 way push switching, rectangular plate

SOFT START DIMMER MODULES (Leading edge)

- For tungsten, mains halogen or dimmable low voltage loads
- Soft start - prolongs lamp life
- Lights can be switched and dimmed from several locations - using the matching slave switches
- Suitable for dimming mains halogen, without the need for derating

DSSGDMK400W Dimmer module for MK Grid Plus, 40-400W, multi-way switching and dimming.

DSSGDCB400W Dimmer module for Crabtree grid, 40-400W, multi-way switching and dimming

DSSGDEU400W Dimmer module for Eurodata plates, 40-400W, multi-way switching and dimming

MANUAL HIGH FREQUENCY DIMMERS

Push on, push off, with rotary dimming control

DP1D10VDCMB 1 gang, for several dimmable ballasts with 1-10V DC control (up to 20mA)

DSSGDMK10VDC Module for MK Grid Plus for dimmable ballasts with 1-10V DC control (up to 20mA)

DSSGDCB10VDC Module for Crabtree grid for dimmable ballasts with 1-10V DC control (up to 20mA)

DSSGDEU10VDC Module for Eurodata plates for dimmable ballasts with 1-10V DC control (up to 20mA)

SLAVE SWITCHES

- Suitable for use with DANLERS Soft start dimmers and DANLERS quiet grid dimmer modules

SS1SL 1 gang slave switch, for use with soft start dimmers.

SSGSMK MK Grid Plus module slave switch, for use with soft start dimmers

SSGSCB Crabtree grid module slave switch, for use with soft start dimmers

SSGSEU Eurodata module slave switch, for use with soft start dimmers

For DANLERS comprehensive range of controls for Lighting and HVAC please visit the **CONTROLS** section.





IP69

70 RT HP



Robust and easy to install with plenty of wiring space, 70 RT HP is an improved range of rotary isolator switches from GEWISS, ideal for all industrial installations, even in harsh environments. Available in 16A to 160A, with plastic or metal boxes.

KEY FEATURES OF 70 RT HP



Total protection

IP66/IP67/IP69 protects wiring against dust and liquid ingress. IK08 impact resistance.



Quick assembly

Fixed with just four quarter turn captive screws; a simple, innovative system.



Versatile and innovative

Dual metric entry points top and bottom, external fixing points for surface-mounting. Optional N/O N/C auxiliary contacts for any application.

Cat No.	Current	Dimensions (mm)	Poles	Pack Qty
RED SWITCH ROTARY ISOLATORS UP TO IP69				
GW70431P	16A	125x150x75.5	2	1
GW70432P	16A		3	1
GW70433P	16A		4	1
GW70486P	25A		2	1
GW70487P	25A		3	1
GW70488P	25A		4	1
GW70434P	32A		2	1
GW70435P	32A		3	1
GW70436P	32A		4	1
GW70441P	40A		2	1
GW70442P	40A		3	1
GW70443P	40A		4	1
GW70437P	63A	156x200x95	3	1
GW70438P	63A		4	1

Black Rotary and Metal versions available with 2P, 3P, 3P+N, 4P



GW70436P

PRE-WIRED COMBINATION UNITS

COLOUR OF CAP
DENOTES VOLTAGE

110V

230V

415V



Quick Q-DIN

**BESPOKE, ASSEMBLED
& WIRED COMBINATION
DISTRIBUTION BOARDS
AVAILABLE ON REQUEST,
QUICK DELIVERY**

**16A Socket = 25A RCD
or 16A RCBO**

**32A Socket = 40A RCD
or 32A RCBO**

Cat. No	Sockets	Voltage	Characteristics		
			Rating	Config	Protection (30mA)
UNSWITCHED RCD PROTECTED SOCKETS IP65					
UK01436	1	230V	16A	2P+E	25A RCD 2P
UK01437	1	415V	16A	3P+E	25A RCD 4P
UK01438				3P+N+E	
UK01439	1	230V	32A	2P+E	40A RCD 2P
UK01440	1	415V	32A	3P+E	40A RCD 4P
UK01441				3P+N+E	
SWITCHED INTERLOCKED RCD OR RCBO PROTECTED SOCKETS IP66					
UK01442	1	110V	16A	2P+E	16A RCBO 2P
UK01443	1	230V	16A	2P+E	25A RCD 2P
UK01444	1	415V	16A	3P+E	25A RCD 4P
UK01445				3P+N+E	
UK01446	1	110V	32A	2P+E	32A RCBO 2P
UK01447	1	230V	32A	2P+E	40A RCD 2P
UK01448	1	415V	32A	3P+E	40A RCD 4P
UK01449				3P+N+E	



UK01437



UK01439



UK01442

Cat. No	Voltage	Rating	Config
Interlock socket includes 6 module internal DIN rail EN50022 (RCDs not included)			
(1) Choose Interlock Socket Code			
GW66977	230V	16A	2P+E
GW66981	415V	16A	3P+E
GW66982			3P+N+E
GW66988	230V	32A	2P+E
GW66992	415V	32A	3P+E
GW66993			3P+N+E
GW66869	230V	63A	2P+E
GW66873	415V	63A	3P+E
GW66874			3P+N+E



GW66981

Cat. No	Rating	Config
(2) Choose equivalent 30mA RCD code		
GWD4012	25A	2P
GWD4112	25A	4P
GWD4032	40A	2P
GWD4132	40A	4P
GWD4052	63A	2P
GWD4152	63A	4P





44 CE RANGE

SURFACE MOUNTING WATERTIGHT JUNCTION BOXES + SPECIAL PURPOSE BOXES FOR MOUNTING ELECTRICAL & ELECTRONIC COMPONENTS. COLOUR: GREY RAL 7035

GW44001



Cat. No	Dimensions(mm)	Pack Qty
IP44 JUNCTION BOXES (WITH CABLE GLANDS AND PLAIN PRESS-ON LID)		
GW44001	Ø65 x 35	5
GW44002	Ø80 x 40	5
GW44003	80 x 80 x 40	5
IP55 JUNCTION BOXES (WITH CABLE GLANDS AND PLAIN SCREW-ON LID)		
GW44005	120 x 80 x 50	66
GW44006	150 x 110 x 70	40
GW44007	190 x 140 x 70	24
GW44008	240 x 190 x 90	12
BOXES (WITH SMOOTH WALLS) - SHALLOW LID IP56		
GW44204	100 x 100 x 50	105
GW44205	120 x 80 x 50	91
GW44206	150 x 110 x 70	50
GW44207	190 x 140 x 70	30
GW44208	240 x 190 x 90	14
GW44209	300 x 220 x 120	6
GW44210	380 x 300 x 120	4
GW44211	460 x 380 x 120	3

GW44214



Cat. No	Dimensions(mm)	Pack Qty
BOXES (WITH SMOOTH WALLS) - DEEP LID IP56		
GW44214	100 x 100 x 120	45
GW44215	120 x 80 x 120	55
GW44216	150 x 110 x 140	24
GW44217	190 x 140 x 140	16
GW44218	240 x 190 x 160	12
GW44219	300 x 220 x 180	7
GW44220	380 x 300 x 180	3
GW44221	460 x 380 x 180	2
BOXES (WITH SMOOTH WALLS) - TRANSPARENT LID		
GW44426	150 x 110 x 70	50
GW44427	190 x 140 x 70	32
GW44428	240 x 190 x 90	14
GW44430	380 x 300 x 120	4
COMPLEMENTARY ITEMS FOR WATERTIGHT BOXES GALVANISED METAL BACKPLATES (FOR FITTING INTO BOXES)		
GW44615	190 x 140 (box size)	20
GW44616	240 x 190 (box size)	20
GW44617	300 x 220 (box size)	20
GW44618	380 x 300 (box size)	5

GW44024



GW44426



GW44204



GW44615



27 COMBI RANGE

A RANGE OF SWITCHES AND SOCKETS WITH HIGH IP RATING FOR USE OUTDOORS. COLOUR: GREY RAL 7035

GW27843



GW27834



GW27831



Cat. No	Description	Pack Qty
10A AND 16A SWITCHES IP55 (SIZE 66x82x65mm)		
GW27831	10A Single pole one-way switch	5
GW27832	16A Double pole one-way switch	5
GW27833	10A Two-way switch	5
GW27834	10A Two-way switch + Two-way switch	5
13A SOCKET OUTLETS IP55		
GW27843	13A Single socket	5

46 QP RANGE

IP66 WATERTIGHT SURFACE MOUNTING CABINETS FOR AUTOMATION AND DISTRIBUTION.

GW46001



GW46446



Cat. No	Dimensions(mm) / Description	Pack Qty
CABINETS (WITH BLANK DOOR FITTED WITH LOCK IP65)		
GW46001F	250 x 300 x 160	1
GW46002F	310 x 425 x 160	1
GW46003F	405 x 500 x 200	1
GW46004F	405 x 650 x 200	1
BACK PLATES		
GW46402	310 x 425 x 2	1
GW46403	405 x 500 x 2	1
GW46404	405 x 650 x 2	1
ACCESSORIES		
GW46445	Safety lock with handle	10
GW46446	Metal brackets	20

40 CD RANGE

SURFACE MOUNTING WATERTIGHT JUNCTION BOXES AND SPECIAL PURPOSE BOXES FOR MOUNTING ELECTRICAL & ELECTRONIC EQUIPMENT. COLOUR: GREY RAL 7035

GW40102



GW40001



GW40401



Cat. No.	Dimensions(mm) / Description	Modules (17.5mm)	Pack Qty
MODULAR ENCLOSURES IP65 (WITH PROVISION TO HOUSE TERMINAL BLOCKS)			
GW40101	143 x 210 x 100	4	19
GW40102	215 x 210 x 100	8	12
GW40103	298 x 260 x 140	12	6
MODULAR ENCLOSURES IP55 (WITH PROVISION TO HOUSE TERMINAL BLOCKS)			
GW40001	105 x 170 x 98	4	24
GW40003	180 x 180 x 98	8	24
GW40005	250 x 250 x 135	12	8
MODULAR ENCLOSURES IP40 (WITHOUT DOORS)			
GW40022	45 x 130 x 85	2	84
GW40023	90 x 130 x 85	4	36
GW40024	140 x 155 x 85	6	34
TERMINAL BLOCKS			
GW40401	Earth & Neutral bar	8	10
GW40402	Earth & Neutral bar	12	10

IEC 309 HP TRAILING PLUGS

COLOUR OF CAP
DENOTES VOLTAGE

110V

230V

400V



GW60004H



GW60030H

Description	Voltage
IP44	
16 amp 2P+E 4H	110V
16 amp 2P+E 6H	230V
16 amp 3P+E 6H	400V
16 amp 3P+N+E 6H	
32 amp 2P+E 4H	110V
32 amp 2P+E 6H	230V
32 amp 3P+E 6H	400V
32 amp 3P+N+E 6H	
IP 66/67/68/69	
16 amp 2P+E 4H	110V
16 amp 2P+E 6H	230V
16 amp 3P+E 6H	400V
16 amp 3P+N+E 6H	
32 amp 2P+E 6H	230V
32 amp 3P+E 6H	400V
32 amp 3P+N+E 6H	

Cat. No	Pack Qty
SCREW TERMINAL	
GW60001H	50
GW60004H	100
GW60008H	100
GW60009H	50
GW60012H	15
GW60015H	25
GW60019H	50
GW60020H	50
SCREW TERMINAL	
GW60023H	25
GW60026H	100
GW60030H	25
GW60031H	25
GW60037H	15
GW60041H	15
GW60042H	25

Cat. No	Pack Qty
FAST WIRING (SCREWLESS)	
GW60004FH	50
GW60015FH	15
FAST WIRING (SCREWLESS)	
GW60026FH	50

IEC 309 HP TRAILING CONNECTORS



GW62004H



GW62030H

Description	Voltage
IP44	
16 amp 2P+E 4H	110V
16 amp 2P+E 6H	230V
16 amp 3P+E 6H	400V
16 amp 3P+N+E 6H	
32 amp 2P+E 4H	110V
32 amp 2P+E 6H	230V
32 amp 3P+E 6H	400V
32 amp 3P+N+E 6H	
IP66/67/68/69	
16 amp 2P+E 4H	110V
16 amp 2P+E 6H	230V
16 amp 3P+E 6H	400V
16 amp 3P+N+E 6H	
32 amp 2P+E 6H	230V
32 amp 3P+N+E 6H	400V

Cat. No	Pack Qty
SCREW TERMINAL	
GW62001H	50
GW62004H	100
GW62008H	50
GW62009H	25
GW62012H	15
GW62015H	25
GW62019H	25
GW62020H	25
SCREW TERMINAL	
GW62023H	50
GW62026H	50
GW62030H	25
GW62031H	25
GW62037H	15
GW62042H	15

Cat. No	Pack Qty
FAST WIRING (SCREWLESS)	
GW62004FH	50

IEC 309 HP 10° PANEL/FLUSH-MOUNTED SOCKET OUTLETS



GW62205H



GW62232H

Description	Voltage
IP44/IP54	
16 amp 2P+E 4H	110V
16 amp 2P+E 6H	230V
16 amp 3P+N+E 6H	400V
32 amp 2P+E 6H	230V
32 amp 3P+N+E 6H	400V
IP66/IP67	
16 amp 2P+E 4H	110V
16 amp 2P+E 6H	230V
16 amp 3P+N+E 6H	400V
32 amp 2P+E 4H	110V
32 amp 2P+E 6H	230V
32 amp 3P+N+E 6H	400V

Cat. No	Pack Qty
SCREW TERMINAL	
GW62201H	50
GW62205H	100
GW62210H	50
GW62216H	25
GW62221H	25
SCREW TERMINAL	
GW62224H	25
GW62227H	100
GW62232H	25
GW62235H	25
GW62238H	15
GW62243H	15



IEC 309 HP TRAILING PLUGS & CONNECTORS 63-125A

Description	Voltage
IP66/IP67/IP68/IP69	
63 amp 2P+E	230V
63 amp 3P+E	400V
63 amp 3P+N+E	
125 amp 3P+N+E	

Cat. No	Pack Qty
PLUGS	
GW61048H	2
GW61052H	2
GW61053H	2
GW60061H	1

Cat. No	Pack Qty
CONNECTORS	
GW63048H	2
GW63052H	2
GW63053H	2
GW62061H	1



SURFACE MOUNT SOCKETS



GW62404



GW62482

Description	Voltage	Cat. No	Pack Qty
10° ANGLED SOCKET - WALL MOUNTING IP44			
16 amp 2P+E	110V	GW62401	40
16 amp 2P+E	230V	GW62404	40
16 amp 3P+N+E	400V	GW62409	40
32 amp 2P+E	230V	GW62415	16
32 amp 3P+N+E	400V	GW62420	16
90° ANGLED SOCKET - WALL MOUNTING IP44			
16 amp 2P+E	110V	GW62474	20
16 amp 2P+E	230V	GW62477	20
16 amp 3P+E	400V	GW62481	20
16 amp 3P+N+E		GW62482	20
32 amp 2P+E		GW62488	16
32 amp 3P+E	400V	GW62492	16
32 amp 3P+N+E		GW62493	16



GW62441



GW62477

Description	Voltage	Cat. No	Pack Qty
10° ANGLED SOCKET - WATERTIGHT WALL MOUNTING IP67			
16 amp 2P+E	230V	GW62426	40
32 amp 3P+N+E	400V	GW62442	16
63 amp 2P+E	230V	GW63448	2
63 amp 3P+N+E	400V	GW63453	2
90° ANGLED SOCKET - WATERTIGHT WALL MOUNTING IP67			
16 amp 2P+E	230V	GW62499	20
32 amp 3P+N+E	400V	GW62516	16
63 amp 2P+E	230V	GW63522	2
63 amp 3P+E	400V	GW63526	2
63 amp 3P+N+E		GW63527	2
125 amp 3P+N+E		GW62535	2
WALL MOUNTING 90° APPLIANCE INLETS IP44			
16 amp 2P+E	230V	GW60404	10
32 amp 2P+E		GW60415	8
WALL MOUNTING 90° APPLIANCE INLETS IP67			
63 amp 2P+E	230V	GW61448	2
63 amp 3P+N+E	400V	GW61453	2
125 amp 3P+N+E		GW60461	2
WATERTIGHT CAP FOR APPLIANCE INLETS			
16 amp 2P+E	-	GW60263	10

IB RANGE

INTERLOCKED SWITCHED SOCKET - OUTLETS TO IEC 309 STANDARDS. AVAILABLE IN 110V, 230V & 400V COLOUR: GREY RAL 7035



GW66004



GW66527



GW66208N

Description	Voltage	Cat. No	Pack Qty
HORIZONTAL INTERLOCKED SOCKET - OUTLETS IP44			
16 amp 2P+E	110V	GW66001	1
16 amp 2P+E	230V	GW66004	1
16 amp 3P+E	400V	GW66008	1
16 amp 3P+N+E		GW66009	1
32 amp 2P+E	230V	GW66015	1
32 amp 3P+E	400V	GW66019	1
32 amp 3P+N+E		GW66020	1
VERTICAL INTERLOCKED SOCKET - OUTLETS IP67			
16 amp 2P+E	230V	GW66204N	1
16 amp 3P+E	400V	GW66208N	1
16 amp 3P+N+E		GW66209N	1
32 amp 2P+E	230V	GW66215N	1
32 amp 3P+E	400V	GW66219N	1
32 amp 3P+N+E		GW66220N	1
VERTICAL INTERLOCKED SOCKET - OUTLETS IP66			
63 amp 2P+E	230V	GW66527	1
63 amp 3P+E	400V	GW66531	1
63 amp 3P+N+E		GW66532	1

SPLITTERS & ADAPTERS



GW64024



GW64204

Description	Voltage	Cat. No	Pack Qty
MULTIPLE OUTLET SOCKETS WITH PLUG IP67			
16 amp 2P+E Dbl	110V	GW64008	5
16 amp 2P+E Dbl	230V	GW64010	5
16 amp 2P+E Trp	110V	GW64022	5
16 amp 2P+E Trp	230V	GW64024	5
CONVERSION ADAPTORS IP44			
13 amp 2P+E (British)	230V	GW64204	10



GW60404



GW61453



SafetySure RCD Range - 30mA



Twin Socket Metalclad
M22M Unswitched
M22SM switched



Twin Socket White
M22W Unswitched
M22SW switched



Spur Unit Metalclad 13A
M92M



Spur Unit White 13A
M92W

SafetySure RCD IP55 In-Line - 30mA Active



Heavy Duty In-Line 4A
Inductive
RCDL-C

SafetySure RCD Adaptor / Plug - 30mA Active



Adaptor IP40
RCDA-C



Plug IP54
RCDP-C

RCD Sockets - 30mA



Twin Socket Metalclad
(Passive)
H22-MP

RCD Switched Sockets - 30mA



Twin Socket Metalclad
(Passive)
K22-MP



Twin Socket White Urea
(Passive)
K22-WP



Single Socket Metalclad
(Passive)
K21-MP



Single Socket White Urea
(Passive)
K21-WP

RCD Fused Spur Unit - 30mA



White Urea Passive - 13A
H92-WP

PowerBreaker ProteKt IP66 Weatherproof Range



Weatherproof Enclosure - Single
PENC1G



Weatherproof Enclosure - Twin
PENC2G

PowerBreaker ProteKt Weatherproof Range



IP67 Cable Connector
H65Z-C



IP68 Waterproof Plug & Socket
H85Z

Photocells



2000W/10A Electronic
Photocell Kit
Detachable sensing
module
On < 20 - off > 80 LUX
Max load: 2000W tungsten /
2x 400W HPS / 400W LED load
10-15 second switching delay

PEC1000



Replacement head for PEC1000

PECH



2000W/10A Remote/Panel Mounting
Photocell
16mm mounting thread with lockrings
On < 20 - off > 80 LUX
Max load: 2000W tungsten /
2x 400W HPS / 400W LED load

PEC20



1000W/4.5A Remote Photocell
20mm mounting thread with lockrings
70 LUX automatic switch on
Max load: 1000W tungsten /
Electrical life 5000 cycles / 400W LED
load

PECR



Socket Box Timers



24hr Mechanical Timer 98 On/Off, On/Timed/Off Switch Selector H77xW72xD43mm

T100A-C



7 Day Mechanical Timer 84 On/Off, On/Timed/Off Switch Selector H77xW72xD43mm

T101A-C



7 Day Electronic Timer 24 On/Off Summer Time Setting Option H77xW72xD43mm

T105A

Immersion and Dual Tarrif Timers



24hr Mechanical Timer
96 On/off settings
Timer On indicator
Analogue Clockface
On/Timed/Off Switch Selector
H127xW74xD48mm

T102A



16A Mechanical Dual Tarrif Boost Timer
15-120 minute boost facility Anti-tamper timer cover
H85xW155xD50mm

T109



Pneumatic Time Delay Switch for operation and control of lighting H85xW85xD42mm

TLSN

Time Delay Switch

Din Rail Mounting Timer



Digital Compact Din Rail Mounting Timer
with 7 day or 24hr programming
Volt free contact
6 On + 6 Off programmes
100 hour battery back up
H90xW18xD55mm

T80-C

Fused Timer Spur Switch



7 Day Fused Timer Spur Switch
Easy set - day / 5 day / 7 day blocks
28 On/off settings
700 hours battery life
Front cable entry
Bright LED display
Contractor recommended
Fits 25mm and 47mm back box

T205

Dual Voltage Shaver Sockets



Chrome
P17C



White
SHAS

Pull Switch - Dimmable



Standard Lighting 250W
Low Voltage Lighting 170W
c/w White & Chrome covers
Not suitable for LEDs

DIMPULLSW-C

Shaver Lights



Pull switch operated light, Dual Voltage
Isolated Diffuser, IP20, 60W Max lamp (not supplied)
H60xW495xD70mm

STA4NL



LED 8W Dual Voltage
Isolated Diffuser, IP20, White
H60.5xW500xD49mm

STA4LEDN



LED 8W Dual Voltage
Isolated Diffuser, IP20, Chrome
H60.5xW500xD49mm

STA4LEDCHN





Detectors

SPECTRA 2000 110x95x73mm 		SPECTRA 1400 102x70x100mm 	
Passive Infrared Movement Detector <ul style="list-style-type: none"> • Detector can control lighting up to a total power loading of 1000W tungsten filament or 1000W tungsten halogen lighting • Full 200° detection area-wide angle coverage to protect doors and windows • Hinged body allows easy access for wiring connections and installation • Fully adjustable ball type detector provides maximum flexibility • Unsuitable for fluorescent lighting control 		Passive Infrared Movement Detector <ul style="list-style-type: none"> • Detector can control lighting up to a total power loading of 1000W tungsten filament or 1000W tungsten halogen lighting • 140° detection area-effective protection for vulnerable areas of approach • Unsuitable for fluorescent lighting control 	
L220NBLK BLACK	L220NWHI WHITE	L210NWHI WHITE	L210NBLK BLACK

Fixed Wall Mounted Chimes

KEY FEATURES

- Power can be provided either by 4x R14/C batteries or from an external D753 transformer required
- 80dB @ 1m



D107 FACET

- 2 Notes



D113 SURF

- 2 Notes



D117 DING DONG

- 2 Notes



D230 BIG BEN

- 2 Chimes + 2 notes
- Back door option



D3126 FESTIVAL

- 2 Notes



D3230 BIG BEN

- 2 Notes

Mains Voltage Chimes

KEY FEATURES

- 80dB @ 1m
- Built-in transformer 220-240V AC
- 2 Notes
- Comply with European safety standards EN 60335-1

Kits, Bells and Buzzers



D902 BELL-IN-ONE

- 80dB @ 1m
- 3V DC
- 2x R20/D batteries required



D792 UNDERDOME

- 85dB @ 1m
- 8V AC Bell
- Transformer required



D182 MINIBUZZER

- 80dB @ 1m
- 8V AC
- Transformer required

Bell Pushes



D630 LUNAR

- Chrome



D723W PUSHLITE

- White
- Name card
- Illuminated



D534 LIGHTSPOT

- Illuminated
- Available in White & Black



D814 SESAME

- White



D824 DIMEX

- Black

Transformers

KEY FEATURES

- 220 to 240V - 50Hz
- Conforms to IEC61558-2-8
- KEMA and VDE Certification
- All transformers have a "fail-safe" design. Once a short circuit occurs they cannot be reset and reused



D753

- Output - 8V 1A
- Switch - No
- Surface Mounted



Series 9 Chimes

KEY FEATURES

- Up to 200m wireless range
- Digitally enhanced sound with volume control
- Maximum volume of 90dB carries up to 100m
- Choice of 8 melodies
- Sleep/Mute mode
- LED strobe & choice of 7 halo colours for visual alerts
- Range extender increases wireless range up to 400m
- Mains power option via micro USB
- Up to 5 years battery life
- Easy installation – no wiring required
- Fixings included



Wireless portable doorbell with range extender, sleep mode & push button

DC915N WHITE



Wireless portable doorbell with range extender, sleep mode & push button

DC915NG GREY



Wireless portable doorbell with range extender, sleep mode & wired to wireless converter

DC915SCV WHITE

Series 5 Chimes

KEY FEATURES

- Compact design
- Up to 150m wireless range
- Digitally enhanced sound with volume control
- Maximum volume of 84dB carries up to 80m
- Choice of 6 melodies
- Sleep/Mute mode
- LED strobe and choice of 7 halo colours for visual alerts
- Up to 2 years battery life
- Easy installation – no wiring required
- Fixings included



Wireless portable doorbell with halo light, sleep mode & push button

DC515N WHITE



Wireless plug-in doorbell with sleep mode, nightlight & push button

DC515NBS WHITE

Series 3 Chimes

KEY FEATURES

- Up to 150m wireless range
- Digitally enhanced sound
- Volume control (313 & 315 models)
- Maximum volume of 84dB carries up to 80m
- Choice of 4 or 6 melodies
- Sleep/Mute mode (315 model)
- LED strobe (313 & 315 models)
- Choice of 7 halo colours for visual alerts (315 model)
- Mains power option via micro USB
- Up to 2 years battery life
- Easy installation – no wiring required
- Fixings included



Wireless portable doorbell with push button

DC311N WHITE



Wireless portable doorbell with volume control & two push buttons

DC313NFB WHITE



Wireless portable doorbell with halo light & push button

DC315N WHITE



Wireless plug-in doorbell with push button

DC311NBS WHITE



Wireless plug-in doorbell with volume control & push button

DC313NBS WHITE



Wireless portable and plug-in doorbell with volume control & push button

DC313NHGBS WHITE



Wireless plug-in doorbell with halo light, USB charging & push button

DC315NBS WHITE



INSTALLATION TESTERS

KT66DL

The most comprehensive multifunction tester on the market complete with 3 & 2 wire low current loop options and EV testing facilities.

- Extra-large colour dot matrix screen display
- EVSE testing (Type B, EV & 6mA)
- 3 & 2 wire low current loop test options
- Earth resistance 3 & 2 wire test options
- SPD test
- PAT function including download



KEWEVA

KEWEVA The market's universal EVSE testing adapter.

- Enables testing of EV charge points
- Compatible with any brand of MFT
- No awkward adapter cable
- Automatic single dial operation for ease of use
- CP automatic communication check
- Smallest in class



KT63PLUS

This versatile and easy to use Multifunction Tester with XL colour screen display is perfect for domestic and commercial settings.

- Extra-large colour dot matrix screen display
- Auto RCD tests with results all on one screen
- High current 0.001 ohm resolution
- Auto RCD tests with results all on one screen - no scrolling
- Phase Rotation



KT65DL

The KT65DL is an advanced Multifunction Tester complete with earth resistance testing, a 0.001 ohm high current loop test and max Zs tables.

- Loop – ATT (low current), high current 0.01 & 0.001 ohm resolution
- Auto RCD tests with all results on one screen
- Earth resistance testing
- PAT testing function with download facility



KT300DL

Single function insulation/continuity tester.

- Small and compact
- Insulation test at 50, 100, 250, 500 & 1000V
- Continuity test with audible tone
- Breakdown voltage enables you to validate SPDs
- SPD test
- 30 K ohm continuity range for verifying extraneous conductive parts
- Hands free function
- Magnetic hanger for clipping onto metal distribution boards



KT63DL

This compact tester is easy to use and performs all the main tests for 18th Edition making it one of the UK's favourite MFT's.

- Small and compact
- Magnetic base for attachment to metal cabinets
- Tests all A Type RCDs
- Continuity, Insulation, Loop (low/high), PFC/PSC & RCD





KT1780

High specification, much loved, 2 pole voltage tester.

- AC/DC voltage from 12V to 690V
- Large oversize LEDs
- LED tree lights up even without batteries
- Phase rotation
- Continuity
- Bright white pen torch
- Dedicated GS38 probe tips



KEWPROVE 3

Proving unit. By law we must always work on dead circuit wherever possible. A proving unit is a convenient part of a safe isolation kit.

- High output
- LED indication of working status

ACC50MTL

High performance 50m extension test lead

- Market leading quality and performance
- Essential for professional R2 and earth bond testing
- 50 metres of high quality multi-stranded copper test lead
- 176 stranded copper test lead
- Resistance of only 0.02ohms per meter
- Double sided reel to protect the cable
- No snagging coiling



PAT TESTING

SMARTPAT

The world's first Wi-Fi controlled PAT!

- Remote control testing to and from your phone
- IT Safe - 500V and 250V insulation test options
- 230V / 110V run leakage test options
- Portable RCD test
- Long battery life - over 1500 tests
- Automatic test sequencing
- FREE KEWPAT App for all data logging, product register and reporting



KT5

Open jaw current and voltage tester.

- Small and compact
- 1000V AC & 1500V DC measurement
- 200A AC measurement
- Enables detection of open PEN situations
- Non-contact, single pole and two pole voltage detection
- The NCV function has three sensitivity levels providing an ability to trace hidden cables.
- Probe tip cover with nose to depress the earth pin in traditional UK BS1363 socket outlets



KT200

This popular contractor orientated AC clamp meter is strong and robust, great for everyday use. It's 0.01A resolution accuracy below 40A means it can measure down to 10mA!

- Measures Current up to 400A AC
- Measures Voltage up to 600V AC
- Resistance
- Continuity buzzer
- 30mm jaw size



LIGHTMATE KIT

5 lighting circuit adapters for faster and safer testing at light fittings.

- BC, ES, SBC, SES & GU10 adapters
- Enables Loop Impedance, and R1 & R2 testing
- Faster, safer testing at light fittings





Palazzoli
GROUP

In compliance
with the 18th
Edition Wiring
Regulations
Available
with switched
interlocked
sockets



CARAVAN HOOK UP UNITS

Part Numbers	Meters	A	Description	Dimensions (HxWxD) mm
665301	1	16	16A, 230V RCBO Protected Single Socket Outlet, Single Width, with Meter	395x122x173
665300	-	16	16A, 230V RCBO Protected Single Socket Outlet, Single Width, without Meter	395x122x173
665311	1	16	16A, 230V RCBO Protected Single Socket Outlet, with Meter	456x239x173
665310	-	16	16A, 230V RCBO Protected Single Socket Outlet, without Meter	456x239x173
665322	2	16	16A, 230V RCBO Protected Twin Socket Outlet, with Meter	456x239x173
665320	-	16	16A, 230V RCBO Protected Twin Socket Outlet, without Meter	456x239x173
665344	4	16	16A, 230V RCBO Protected Four Socket Outlet, with Meter	456x461x173
665340	-	16	16A, 230V RCBO Protected Four Socket Outlet, without Meter	456x461x173
665411	1	32	32A, 230V RCBO Protected Single Socket Outlet, with Meter	456x239x173
665410	-	32	32A, 230V RCBO Protected Single Socket Outlet, without Meter	456x239x173

* Available on request: Additional options with switched interlocked socket outlets up to 32A 415V

Features & Benefits

- Modular construction design, robust enclosure in Techno-polymer offering a high resistance to UV rays and chemical agents
- Choice of IEC60309 sockets: 16A (single, twin & 4 socket versions) & 32A (single socket version) - IP44 (IP66 on request) - 230V (32A, 415V option available on request)
- 100A 2P Main Switch; 6kA RCBOs (Type B): 16A & 32A, 2P, 30mA



Elite Range

3 Compartment Trunking Systems

Marco's Elite trunking system offers an innovative design solution for the growing data cabling market. The symmetrical curved design allows for a large number of cables to be housed and is designed to accommodate CAT6 & CAT6A cabling systems

3 Compartment

CAT6 & CAT6A Compliance

BIM Download

CODE	DESCRIPTION	PACK QTY
ME3	Elite 3 - 175x60mm	2x 3m
ME3F	Elite 3 flat angle	1
ME3T	Elite 3 flat tee	1
ME3I	Elite 3 internal angle	1
ME3E	Elite 3 external angle	1
ME3J	Elite 3 joint cover	5
ME3C	Elite 3 end covers	2
MEC3	Elite Compact - 145x50mm	2x 3m
MEC3F	Elite Compact flat angle	1
MEC3T	Elite Compact flat tee	1
MEC3I	Elite Compact internal angle	1
MEC3E	Elite Compact external angle	1
MEC3J	Elite Compact joint cover	5
MEC3C	Elite Compact end covers	2
MTSB1	1-gang socket mounting box	10
MTSB2	2-gang socket mounting box	10
MTSB1-F	1-gang socket mounting frame	10
MTSB2-F	2-gang socket mounting frame	10



Elite 3



Elite Compact

Accessories



Flat Tee



Internal Angle



Flat Angle



End Cap



Internal Angle

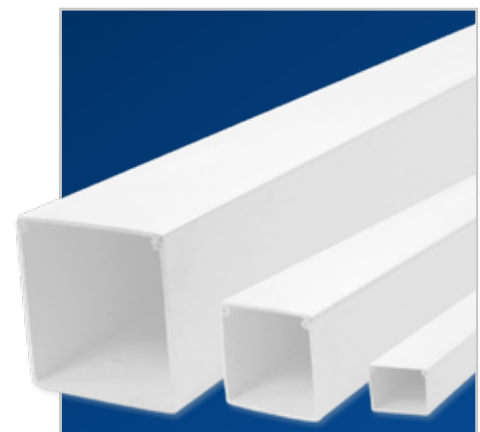


Joint Cover

Mini & Maxi Trunking Also Available

Marco's range of Mini and Maxi trunking products are available in multiple sizes, ideal for carrying power and data cabling in domestic and commercial environments. Each range is supported by a wide range of accessories and fittings. Marco's mini trunking is also available with self adhesive backing.

Cat No	Maxi Profile	Per
MM1	16x16mm Mini Trunking	Metre
MMS1	16x16mm Self Adhesive	Metre
MM2	25x16mm Mini Trunking	Metre
MMS2	25x16mm Self Adhesive	Metre
MM3	38x16mm Mini Trunking	Metre
MMS3	38x16mm Self Adhesive	Metre
MM4	38x25mm Mini Trunking	Metre
MMS4	38x25mm Self Adhesive	Metre
Cat No	Maxi Profile	Per
MMT50	50x50mm Maxi Trunking	Metre
MMT75	75x75mm Maxi Trunking	Metre
MMT100	100x100mm Maxi Trunking	Metre



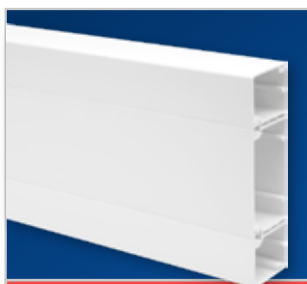
Mini & Maxi Trunking



Apollo Dado



Apollo Skirting



Apollo Square



Juno Trunking

Apollo Range

3 Compartment Trunking Systems

At 170x50mm and available in three profiles, Dado, Skirting and Square, Marco's Apollo trunking is designed to accommodate a broad range of installation environments, and continues to be a popular choice for cable containment. CAT5E as standard, Apollo can meet CAT6 if required, through the use of data guides.

CAT NO	DESCRIPTION	PACK QTY
MTD3	Apollo DADO Trunking - 170x50mm	2x 3m
MTDE3	Apollo DADO External Angle	1
MTDI3	Apollo DADO Internal Angle	1
MTDF3	Apollo DADO Flat Angle	1
MTDT3	Apollo DADO Flat Tee	1
MTDJ3	Apollo DADO Joint Cover	5
MTDC3	Apollo DADO End Cap	2
MTS3	Apollo SKIRTING Trunking - 170x50mm	2x 3m
MTSE3	Apollo SKIRTING External Angle	1
MTSI3	Apollo SKIRTING Internal Angle	1
MTSF3D	Apollo SKIRTING Flat Angle Down	1
MTSF3U	Apollo SKIRTING Flat Angle Up	1
MTST3	Apollo SKIRTING Flat Tee	1
MTSJ3	Apollo SKIRTING Joint Cover	5
MTSCL3	Apollo SKIRTING End Cap Left	2
MTSCR3	Apollo SKIRTING End Cap Right	2
MTDQ3	Apollo SQUARE Trunking - 170x50mm	2x 3m
MTDQE3	Apollo SQUARE External Angle	1
MTDQI3	Apollo SQUARE Internal Angle	1
MTDQF3	Apollo SQUARE Flat Angle	1
MTDQT3	Apollo SQUARE Flat Tee	1
MTDQJ3	Apollo SQUARE Joint Cover	5
MTDQC3	Apollo SQUARE End Cap	2

Juno Trunking System

CAT NO	DESCRIPTION	PACK QTY
MT105	Juno Trunking - 100x50mm	2x 3m
MTE105	Juno External Angle	1
MTI105	Juno Internal Angle	1
MTF105	Juno Flat Angle	1
MTT105	Juno Flat Tee	1
MTJ105	Juno Joint Cover	5
MTC105	Juno End Caps	2
MTD105	Juno Divider Strip	16x 1.5m



Marco Aluminium Power Poles & Posts

Power poles and posts are a perfect solution for projects requiring power and data distribution to island desks or in the middle of open-plan spaces.

The systems benefit from strong aluminium profiles, designed to retain their rigidity in all installation environments.

Both the power poles and power posts are available in a anodised aluminium, and white powder-coated aluminium finishes, and are ready to install out of the box.

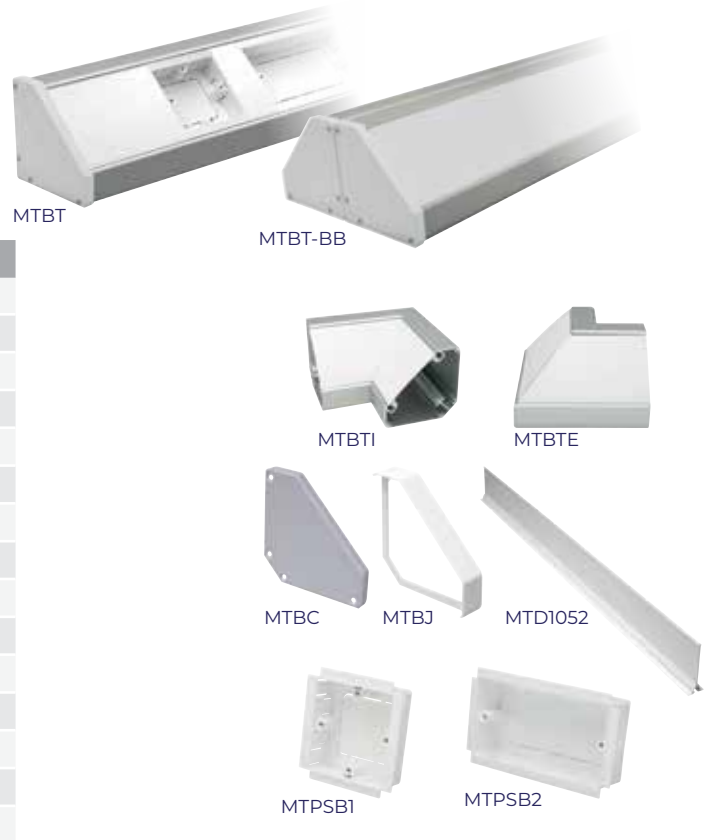


CAT NO	DESCRIPTION	PACK QTY
MTP1	3.6m aluminium power pole	1
MTP1W	3.6m white powder coated aluminium power pole	1
MTPP1	650mm aluminium power post	1
MTPP1W	650mm white powder coated aluminium power post	1
MTPSB1	1-gang socket boxes	10
MTPSB2	2-gang socket mounting boxes	10

Marco Aluminium Bench Trunking

Marco Bench Trunking is manufactured from satin anodised aluminium and fitted with a white uPVC centre lid. Marco Bench Trunking is also available in back to back and prefabricated units.

CAT NO	DESCRIPTION	PACK QTY
MTBT	Bench Trunking, aluminium body, uPVC lid	1x 2m
MTBT-BB	Back to back Bench Trunking, aluminium body, uPVC lid	1x 2m
MTBTI	Internal Angle Silver	1
MTBTIW	Internal Angle White - Powder coated	1
MTBTE	External Angle Silver	1
MTBTEW	External Angle White - Powder coated	1
MTBTW	Bench Trunking, white powder coated aluminium body, uPVC lid	1x 2m
MTBT-BBW	Back to back Bench Trunking, white p/coated alum body, uPVC lid	1x 2m
MTBC	End Cover	2
MTBJ	Joint Cover	2
MTD1052	Divider	10x 2m
MTPSB1	Socket Mounting Box, 35mm 1-gang	5
MTPSB2	Socket Mounting Box, 35mm 2-gang	5
MTPSB1-25	Socket Mounting Box, 25mm 1-gang	5
MTPSB2-25	Socket Mounting Box, 25mm 2-gang	5



Marco Bench Trunking Units

CAT NO	DESCRIPTION	PACK QTY
MTBU1	Bench Trunking Unit, 1-gang	1
MTBU2	Bench Trunking Unit, 2-gang	1
MTBU3	Bench Trunking Unit, 1-gang & 2-gang	1
MTBU1W	Bench Trunking Unit, white powder coated aluminium, 1-gang	10
MTBU2W	Bench Trunking Unit, white powder coated aluminium, 2-gang	10
MTBU3W	Bench Trunking Unit, white powder coated aluminium, 1 & 2-gang	10



MK Sentry Circuit Protection Range

Update your consumer unit to meet Amendment 2 of the 18th Edition Wiring Regulations



AFDD

Provides additional protection against accidental fire in the house

Cat No.	Description
H4406S	6A TYPE B 30MA TYPE A 6KA
H4410S	10A TYPE B 30MA TYPE A 6KA
H4416S	16A TYPE B 30MA TYPE A 6KA
H4420S	20A TYPE B 30MA TYPE A 6KA
H4432S	32A TYPE B 30MA TYPE A 6KA
H4440S	40A TYPE B 30MA TYPE A 6KA
H4506S	6A TYPE C 30MA TYPE A 6KA
H4510S	10A TYPE C 30MA TYPE A 6KA
H4516S	16A TYPE C 30MA TYPE A 6KA
H4520S	20A TYPE C 30MA TYPE A 6KA
H4532S	32A TYPE C 30MA TYPE A 6KA
H4540S	40A TYPE C 30MA TYPE A 6KA



SURGE

Protects against voltage spikes for example lightning strikes

Cat No.	Description
H6820S	SURGE PROTECTION DEVICE



RCBO

Protects electrical equipment from residual current and over current

Cat No.	Description
H6832S	6A 30MA SINGLE MODULE
H6833S	10A 30MA SINGLE MODULE
H6834S	16A 30MA SINGLE MODULE
H6835S	20A 30MA SINGLE MODULE
H6836S	32A 30MA SINGLE MODULE
H6837S	40A 30MA SINGLE MODULE
H6838S	50A 30MA SINGLE MODULE



MINIATURE RCBO

TYPE A

Cat No.	Description
H7732M	6A 30MA B CURVE SINGLE MODULE MINI 6KA
H7733M	10A 30MA B CURVE SINGLE MODULE MINI 6KA
H7734M	16A 30MA B CURVE SINGLE MODULE MINI 6KA
H7735M	20A 30MA B CURVE SINGLE MODULE MINI 6KA
H7736M	32A 30MA B CURVE SINGLE MODULE MINI 6KA
H7737M	40A 30MA B CURVE SINGLE MODULE MINI 6KA
H6532M	6A 30MA C CURVE SINGLE MODULE MINI 6KA
H6533M	10A 30MA C CURVE SINGLE MODULE MINI 6KA
H6534M	16A 30MA C CURVE SINGLE MODULE MINI 6KA
H6535M	20A 30MA C CURVE SINGLE MODULE MINI 6KA
H6536M	32A 30MA C CURVE SINGLE MODULE MINI 6KA
H6537M	40A 30MA C CURVE SINGLE MODULE MINI 6KA



SURGE BOARDS

Either empty or pre-populated with surge device

Cat No.	Description	
YS5704SMET	4 WAY MCU WITH 100A SWITCH & SURGE	
YS5708SMET	8 WAY MCU WITH 100A SWITCH & SURGE	
YS5712SMET	12 WAY MCU WITH 100A SWITCH & SURGE	
YS5716SMET	16 WAY MCU WITH 100A SWITCH & SURGE	
YS5721SMET	21 WAY MCU WITH 100A SWITCH & SURGE	
YS8666SMET	16 WAY MCU WITH 100A SWITCH & 2X 100A TYPE A RCCB & 8X MCB & SURGE	6
YS8678SMET	21 WAY MCU WITH 100A SWITCH & 2X 100A TYPE A RCCB & 12X MCB & SURGE	9



CONSUMER UNITS POPULATED

Cat No.	Description	
Y9550SMET	4 WAY MCU WITH 80A RCD TYPE A & 2X MCB	
Y9551SMET	4 WAY MCU WITH 80A RCD TYPE A & 1X MCB	
Y9552SMET	8 WAY MCU WITH 80A RCD TYPE A & 6X MCB	
Y7664SMET	12 WAY MCU WITH 100A SWITCH & 2X 63A RCCB & 6X MCB	5
Y7666SMET	16 WAY MCU WITH 100A SWITCH & 2X 63A RCCB & 10X MCB	7
Y9673SMET	12 WAY MCU WITH 100A SWITCH & 6X RCD TYPE A	
Y7678SMET	21 WAY MCU WITH 100A SWITCH & 63A & 80A RCCB & 12X MCB	9
Y8664SMET	12 WAY MCU WITH 100A SWITCH & 2X 100A TYPE A RCCB & 6X MCB	5
Y8665SMET	16 WAY MCU WITH 100A SWITCH & 2X 100A TYPE A RCCB & 8X MCB	6
Y8666SMET	16 WAY MCU WITH 100A SWITCH & 2X 100A TYPE A RCCB & 10X MCB	7
Y8678SMET	21 WAY MCU WITH 100A SWITCH & 2X 100A TYPE A RCCB & 12X MCB	9



CONSUMER UNITS UNPOPULATED

Cat No.	Description
YR5608SMET	8 WAY RECESSED MCU
YR5612SMET	12 WAY RECESSED MCU
YR5616SMET	16 WAY RECESSED MCU
YR5621SMET	21 WAY RECESSED MCU
Y5704SMET	4 WAY MCU WITH 100A SWITCH
Y5708SMET	8 WAY MCU WITH 100A SWITCH
Y5712SMET	12 WAY MCU WITH 100A SWITCH
Y5716SMET	16 WAY MCU WITH 100A SWITCH
Y5721SMET	21 WAY MCU WITH 100A SWITCH

Additional information:

5 2x 6A, 1x 16A, 2x 32A, 1x 40A MCB

6 2x 6A, 2x 16A, 3x 32A, 1x 40A MCB

7 3x 6A, 2x 16A, 4x 32A, 1x 40A MCB

9 3x 6A, 2x 16A, 2x 20A, 4x 32A, 1x 40A MCB



SDC

Cat No.	Description
H5560S	DOUBLE POLE 63A 230V
H5500S	DOUBLE POLE 100A 230V



RCCB TYPE AC

Cat No.	Description
H6325S	25A 230V 10MA 2 MODULE 2 POLE
H7825S	25A 230V 30MA 2 MODULE 2 POLE
H6125S	25A 230V 100MA 2 MODULE 2 POLE
H7840S	40A 230V 30MA 2 MODULE 2 POLE
H6140S	40A 230V 100MA 2 MODULE 2 POLE
H7860S	63A 230V 30MA 2 MODULE 2 POLE
H6160S	63A 230V 100MA 2 MODULE 2 POLE
H7880S	80A 230V 30MA 2 MODULE 2 POLE
H6180S	80A 230V 100MA 2 MODULE 2 POLE
H5880S	80A 230V 300MA 2 MODULE 2 POLE
H7800S	100A 230V 30MA 2 MODULE 2 POLE
H6100S	100A 230V 100MA 2 MODULE 2 POLE
H5800S	100A 230V 300MA 2 MODULE 2 POLE



MCB SP TYPE B

Cat No.	Description
H5903S	3A 230V B3
H5906S	6A 230V B6
H5910S	10A 230V B10
H5916S	16A 230V B16
H5920S	20A 230V B20
H5925S	25A 230V B25
H5932S	32A 230V B32
H5940S	40A 230V B40
H5945S	45A 230V B45
H5950S	50A 230V B50
H5963S	63A 230V B63



RCCB TYPE A

Cat No.	Description
H5325S	25A 230V 10MA 2 MODULE 2 POLE
H5625S	25A 230V 30MA 2 MODULE 2 POLE
H5725S	25A 230V 100MA 2 MODULE 2 POLE
H9325S	25A 230V 300MA 2 MODULE 2 POLE
H5640S	40A 230V 30MA 2 MODULE 2 POLE
H5740S	40A 230V 100MA 2 MODULE 2 POLE
H5660S	63A 230V 30MA 2 MODULE 2 POLE
H5680S	80A 230V 30MA 2 MODULE 2 POLE
H5780S	80A 230V 100MA 2 MODULE 2 POLE
H9380S	80A 230V 300MA 2 MODULE 2 POLE
H5600S	100A 230V 30MA 2 MODULE 2 POLE
H5700S	100A 230V 100MA 2 MODULE 2 POLE
H9300S	100A 230V 300MA 2 MODULE 2 POLE
H6900S	100A 230V 100MA S TIME DELAY 2 MODULE 2 POLE



MCB SP TYPE C

Cat No.	Description
H8703S	3A 230V C3
H8706S	6A 230V C6
H8710S	10A 230V C10
H8716S	16A 230V C16
H8720S	20A 230V C20
H8725S	25A 230V C25
H8732S	32A 230V C32
H8740S	40A 230V C40
H8750S	50A 230V C50
H8763S	63A 230V C63



RCBO TYPE B RCCB STYLE AC

Cat No.	Description
H7932S	6A 30MA SINGLE MODULE
H7933S	10A 30MA SINGLE MODULE
H7934S	16A 30MA SINGLE MODULE
H7935S	20A 30MA SINGLE MODULE
H6310S	32A 10MA SINGLE MODULE
H7936S	32A 30MA SINGLE MODULE
H7937S	40A 30MA SINGLE MODULE
H7938S	45A 30MA SINGLE MODULE
H7939S	50A 30MA SINGLE MODULE



RCBO TYPE C RCCB STYLE AC

Cat No.	Description
H8932S	6A SINGLE MODULE
H8933S	10A SINGLE MODULE
H8934S	16A SINGLE MODULE
H8935S	20A SINGLE MODULE
H8936S	32A SINGLE MODULE
H8937S	40A SINGLE MODULE
H8938S	50A SINGLE MODULE

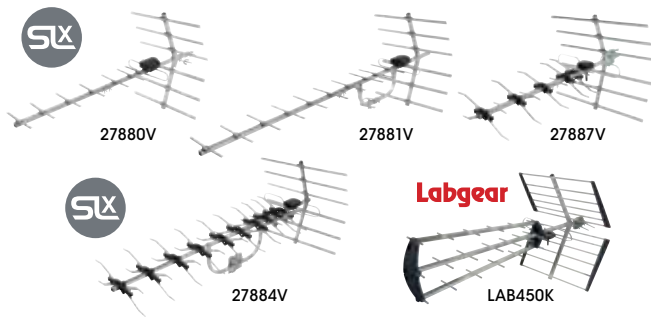


ACCESSORIES

Cat No.	Description
H5563S	SPLIT LOAD KIT CONSISTS OF 3 CABLES (16MM)
H5565S	MULTI INCOMER CABLE KIT (16MM)
H5568S	CABLE KIT FOR SWITCH & TWIN RCD (16MM)
H5567S	CABLE KIT FOR SWITCH & TRIPLE RCD (16MM)
H5569S	CABLE KIT FOR SURGE AND TWIN RCD (16MM)
H5593SRED	RED METAL ENCLOSURE LOCKING DEVICE
H5544S	MCB BLANK
H5511S	11 WAY BUSBAR
H5590S	21 WAY BUSBAR
HAX26S	BUSBAR COVER FOR H551S AND H5590S
H5599S	LABELS FOR DUAL & TRIPLE RCD UNITS
H5561S	CABLE KIT STACKED SENTRY UNITS 16MM
H6061SMET	12 WAY STACKING KIT
H6062SMET	16 WAY STACKING KIT
H6063SMET	21 WAY STACKING KIT
H6563S	MCU SPLIT-LOAD CABLE KIT (25MM)
H6565S	MCU MULTI INCOMER CABLE KIT (25MM)
H6568S	MCU CABLE KIT FOR SWITCH & TWIN RCD ARRANGEMENT (25MM)
H6567S	MCU CABLE KIT FOR SWITCH & TRIPLE RCD ARRANGEMENT (25MM)
H6569S	MCU CABLE KIT FOR SURGE & TWIN RCD (25MM)
H6561S	MCU CABLE KIT FOR STACKED SENTRY UNIT (25MM)



5G & 4G Compatible Aerials & Aerial Kits



27880V	SLx 14 Element Aerial 5G & 4G Compatible
27881V	SLx 18 Element Aerial 5G & 4G Compatible
27887V	SLx 32 Element Aerial 5G & 4G Compatible
27884V	SLx High Gain 48 Element Aerial 5G & 4G Compatible
LAB450K	Labgear Tri-Boom Ultra High Gain 5G & 4G Compatible

Labgear



27885V	Megaboost Amplified Aerial Kit with Filtering to Prevent 5G & 4G Interference or weak. Suitable for Weak or Moderate Strength Signal Areas
27895VK	Digidome Compact Amplified Omnidirectional UHF/VHF Aerial Kit with Filtering to Prevent 5G & 4G Interference
27887VK	SLx 32 Element Aerial Kit 5G & 4G Compatible
27884VK	SLx 48 Element Aerial Kit 5G & 4G Compatible

Aerial Fixings



29914R	Aerial Wall Fixing Kit 6" Stand Off
29923R	Aerial Loft Bracket
29921R	1.8m Cranked Aerial Mast Pole
29941R	1.8m Straight Aerial Mast Pole

Cable Available, Contact your local branch



Connectors



19000R	F Plug Twist On
19015R	In-Line F Connector
19066R	F Socket to Coax Plug
19003R	2 Way Plastic Y Splitter
19100B	Coaxial Plug
19145S	Coaxial Socket
19017M	Coaxial Coupler

TV Coax & F Satellite Leads



26004ST	5m Coax Plug to Plug
26005ST	10m Coax Plug to Plug
26057ST	1.5m F Plug to F Plug
26054ST	2m F Plug to F Plug

Labgear Outdoor Wideband Splitters & Combiners



CM4162	Outdoor UHF/Satellite Combiner 5-862MHz & 950-2400MHz
WBOS2F	2 Way Splitter PP One Port Bi-Directional 5-2400MHz
WBOS4F	4 Way Splitter PP One Port Bi-Directional 5-2400MHz

5G & 4G RED Compliant Filtered Masthead Amps



LMA125VK	1 In 1 Out 10-25dB Adjustable Gain Low Noise Masthead Amp with Filtering to Prevent 5G & 4G Interference
LMA415K	2 In 4 Out 15dB UHF/VHF Masthead Amp Low Noise with Filtering to Prevent 5G & 4G Interference
PSUFC	12V 300mA Universal Power Supply for Masthead Amps

For the full range of products see www.philex.com
Everything available from Stearn



5G & 4G RED Compliant Filtered Aerial Amplifiers



27811V	1 In 1 Out VHF/UHF 20dB Gain Compact Amp + PSU
27813V	1 In 4 Out VHF/UHF 11dB Gain Compact Amp + PSU
27815V	USB Powered Compact UHF/VHF Plug In TV Booster
27822V	1 In 2 Out VHF/UHF 16dB Variable Gain Amp
27820V	2 In 4 Out VHF/UHF 11dB Gain Amp
27823V	2 In 6 Out VHF/UHF 11dB Gain Amp
27824V	2 In 8 Out VHF/UHF 11dB Gain Amp
LDA102K	1 In 2 Out VHF/UHF 15dB Gain Amp
LDA204K	2 In 4 Out VHF/UHF 10dB Gain Amp with Auto Line Power for Masthead Amp
LDA2061K	2 In 6+1 (Full) Out VHF/UHF 10dB (+17dB Full) Gain Amp with Auto Line Power for Masthead Amp
LDA2081K	2 In 8+1 (Full) Out VHF/UHF 10dB (+17dB Full) Gain Amp with Auto Line Power for Masthead Amp

DigiLink Compatible Amps with Bypass RED Compliant



27822BMR	1 In 2 Out VHF/UHF 16dB Gain Amp
27820BMR	2 In 4 Out VHF/UHF 10dB Gain Amp
27823BMR	2 In 6 Out VHF/UHF 10dB Gain Amp
27824BMR	2 In 8 Out VHF/UHF 10dB Gain Amp
LDL204B	2 In 4 Out VHF/UHF 10dB Gain Amp
LDL206B	2 In 6 Out VHF/UHF 10dB Gain Amp
LDL208B	2 In 8 Out VHF/UHF 10dB Gain Amp

For TV Brackets see Philex in home entertainment

page 275

Labgear Satellite LNBs & Satellite Receiver

VK4L	Ku Band 4 Output LNB with Mk4 Bracket
VK8L	Ku Band 8 Output LNB with Mk4 Bracket
VSAT01	Free-to-Air HD Satellite Receiver - DVB-S & DVB-S2 compliant Supports H.264, MPEG-4/AVC, 1080p resolution, compatible with DiSEqC 1.0/1.2/1.3 (USALS), HDMI, phono & USB ports, Blind, Sat, Transponder & NIT Scan, Now and Next recording

Labgear Premium High Speed HDMI V2.0 Cables

Tested to confirm full 18Gbps bandwidth to ensure quality for feature-rich 4K/UltraHD content

- Support 4K/Ultra HD, 3D and HDMI 2.0 equipment
- Resolutions of 4K@60Hz, 2160p and 1080p
- HDR signals including HDR10 and Dolby Vision
- Ethernet and audio return channel

50032PI	1m Premium HDMI Cable
50034PI	3m Premium HDMI Cable
50035PI	5m Premium HDMI Cable

Labgear High Speed HDMI Cables with Ethernet

- Support 3D, 4K*2K, 10.2Gbps, 2160p and X.V. colour
- Ethernet and audio return channel
- 24K gold plated connectors and pure Oxygen-Free copper cables

HDM5E	5m HDMI Cable with Ethernet
HDM20E	20m HDMI Cable with Ethernet

Cat5e / Cat7 Patch Leads

Cat5E Grey		Cat7 White	
70458RE	0.5m Cat5e	50025PI	0.5m Cat7
70514RE	1m Cat5e	50026PI	1m Cat7
70515RE	2m Cat5e	50027PI	3m Cat7
70516RE	3m Cat5e	50028PI	5m Cat7
70517RE	5m Cat5e	50029PI	10m Cat7
70518RE	10m Cat5e	50030PI	15m Cat7
		50031PI	20m Cat7



Compatible with **Oral-B & Braun** Electric Toothbrushes



ProofVision

TBCharge

"Reinventing the Shaver Socket"

IN-WALL ELECTRIC TOOTHBRUSH CHARGER

Now you don't need to choose between charging your toothbrush or using your electric razor



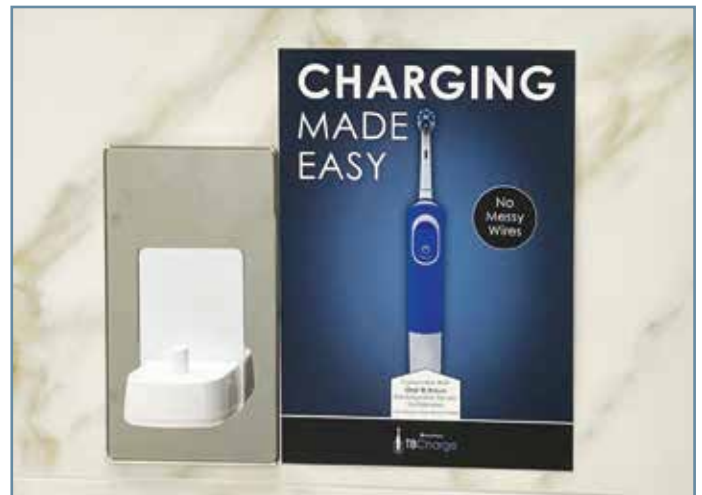
Cat No	Description
PV12P	Charger with shaver socket
PV11PSFR	Polished steel plate
PV11BSFR	Brushed steel plate
PV11BFR	Black plate



Cat No	Description
PV10P	Charger
PV10PSFR	Polished steel plate
PV10BSFR	Brushed steel plate
PV10BFR	Black plate



Cat No	Description
PV11P	Charger
PV11PSFR	Polished steel plate
PV11BSFR	Brushed steel plate
PV11BFR	Black plate



FREE DISPLAY SAMPLES ARE AVAILABLE ON REQUEST.
CONTACT YOUR NEAREST BRANCH FOR DETAILS

A SMART HOME FOR EASY LIVING

Senders

Remote Controls



- Range of up to 30 metres
- Including master switch
- Compatible with all Plug & Connect items

SH4-90150 - 2 channels
SH4-90161 - 15 channels

Wireless Motion Detectors



- Powered by battery
- Adjustable timer and sensitivity
- Range of up to 30 metres

SH4-90154 - Indoor
SH4-90157 - Outdoor

Wireless Wall Switches



- Powered by battery
- Range of up to 30 metres

SH4-90162 - Indoor Single
SH4-90159 - Indoor Double
SH4-90160 - Outdoor Single

Receivers

Built-in Switches



- Wireless built-in power switch
- Indoor use
- 30-metre range

SH4-90260 - 1000W
SH4-90262 - 400W

Built-in Switches



- Control indoor dimmable lights
- Set a timer for your garage door
- Range of up to 30 metres

SH4-90265 - 200W - Dimmer
SH4-90259 - 300W - Timer

Starter kit

Outdoor Switch Set

- Remote control outdoor lights or devices up to 400W
- 3-way switch box and 4-channel remote control with master
- IP55 rated and 30-metre range



SH4-99652



Outdoor Power

**Weathersafe®
Extreme**

Extreme
Solid Ribbed
Cover for **Extra**
Strength!



**WEATHERSAFE®
IP66
RATING**

WXT101N
Weathersafe Extreme Single Gang Switched Socket

**WEATHERSAFE®
IP66
RATING**

WXT201N
Weathersafe Extreme Twin Gang Switched Socket

**WEATHERSAFE®
IP66
RATING**

WXT103N
Weathersafe Extreme Single Gang Fused Spur

**WEATHERSAFE®
IP66
RATING**

WXT204NP
Weathersafe Extreme Twin Gang Switched RCD Socket (Passive)

- Dual Flag Technology provides added protection against the risks of electrocution.
- Automatically disconnects both Live and Neutral connections leaving Earth connection intact.
- Extra fast action – trips out within 40ms (BS7288:2016).
- Meets latest IET wiring regulations.
- Lockable cover facility.
- Multiple M20 threaded screw-outs.
- Type A RCD.

**WEATHERSAFE®
IP66
RATING**

WXT205NP
Weathersafe Extreme Twin Gang Switched RCD Socket (Active)

IP66 Switches | IP65 AC Isolator Switches

**WEATHERSAFE®
IP66
RATING**

TGVL01
Weathersafe Extreme Single Gang 2-Way Switch 10AX

TGVL02
Weathersafe Extreme Twin Gang 2-Way Switch 10AX

IS3N-20
3 Pole, 20 Amp AC Isolator Switch

IS4N-20
4 Pole, 20 Amp AC Isolator Switch

IS3N-32
3 Pole, 32 Amp AC Isolator Switch

IS4N-32
4 Pole, 32 Amp AC Isolator Switch

**WEATHERSAFE®
IP65
RATING**

IS4N-40
4 Pole, 40 Amp AC Isolator Switch

IS4N-63
4 Pole, 63 Amp AC Isolator Switch

IS4N-100
4 Pole, 100 Amp AC Isolator Switch

**SUITABLE FOR
ARMOURED
CABLE**

**WEATHERSAFE®
IP65
RATING**

IS4N20LENC
4 Pole, 20A Large-Bodied Isolator Switch

IS4N32LENC
4 Pole, 32A Large-Bodied Isolator Switch





Outdoor Power

Weathersafe® VISION

Vision
Clear & Tough
See Through
Durable
Cover!




**WEATHERSAFE®
IP66
RATING**

TGV101N
Weathersafe Vision Single Gang Switched Socket



**WEATHERSAFE®
IP66
RATING**

TGV201N
Weathersafe Vision Twin Gang Switched Socket



**WEATHERSAFE®
IP66
RATING**

TGV103N
Weathersafe Vision Single Gang Fused Spur



**WEATHERSAFE®
IP66
RATING**

TGV105NP
Weathersafe Vision Single Gang 13A RCD Fused Spur - (Passive)



**WEATHERSAFE®
IP66
RATING**

TGV204NP
Weathersafe Vision Twin Gang Switched RCD Socket (Passive)



**WEATHERSAFE®
IP66
RATING**

TGV205NP
Weathersafe Vision Twin Gang Switched RCD Socket (Active)

IP65 DC Isolator Switches



**WEATHERSAFE®
IP65
RATING**

IS2N-16DC
2 Pole, 16 Amp DC Isolator Switch

IS2N-25DC
2 Pole, 25 Amp DC Isolator Switch

IS2N-32DC
2 Pole, 32 Amp DC Isolator Switch



**WEATHERSAFE®
IP65
RATING**

IS4N-16DC
4 Pole, 16 Amp DC Isolator Switch

IS4N-25DC
4 Pole, 25 Amp DC Isolator Switch

IS4N-32DC
4 Pole, 32 Amp DC Isolator Switch

IP68 Connectors



**WEATHERSAFE®
IP68
RATING**

WXT68IL16
In-Line IP68 Connector – 16A

WXT68IL20
In-Line IP68 Connector – 20A



**WEATHERSAFE®
IP68
RATING**

WXT68T20
IP68 'T' Connector – 20A

WXT68JB25
IP68 Junction Box – 25A





Outdoor Power

POWERSEAL
IP55
RATING
(When lid closed)

MULTI-BOX WITH 4-GANG SOCKET STRIP AND HINGED LID

- Suitable for 13 amp plugs and selective timers.
- 4 way socket strip included (cable and plug not supplied).
- Ideal for transformer-linked garden lighting and other outdoor appliances.



TPS401

Powerseal Outdoor IP55 Power Enclosure with 4 Gang 13A Socket Strip

POWERSEAL
IP55
RATING
(When lid closed)

MULTI-BOX WITH 2-GANG SOCKET STRIP AND HINGED LID

- Hinged lid for quick and easy access outdoor power.
- Compact design with support for up to 50mm tall plugs.
- Ideal for outdoor power solutions such as pressure washers, lawn mowers, leaf blowers & outdoor lighting setups.



TPS202

Outdoor IP55 Power Enclosure with 2 Gang 13A Socket Strip

Weathersafe® Multi-Connector Boxes

WEATHERSAFE
IP65
RATING

MULTI-CONNECTOR BOX WITH 4 GANG, 13A SOCKET STRIP

- 1 x 20mm cable knock out (mains into socket strip)
- Up to 5x cable seal outlets (to appliances)
- Keyhole slot for temporary locating and in situ alignment



WP401

4 Gang Outdoor Multi-Connector Box

WEATHERSAFE
IP66
RATING

MULTI-CONNECTOR MINI BOX WITH 2 GANG, 13A SOCKET STRIP

- Multiple appliance cable outlets
- Ideal for transformer linked garden lighting and other outdoor appliances
- Keyhole slot for temporary locating and in situ alignment



WPM02

2 Gang Outdoor Multi-Connector Box

100A Fused Switch Unit



- 100A Surface mount switch unit.
- 230V A/C Protection and isolation of incoming mains electricity.
- Supplied with 1x100A and 1x80A HRC fuses.

CUFMS100

100A Fused Switch Unit



WEATHERSAFE
IP66
RATING

LEDS
UP TO
500W

tuya®

works with alexa

works with Hey Google

FSTWIFITUTGV

Wi-Fi Smart IP66 Fused Spur Timeswitch






Dual-Flag RCD Protection

Type A



Active
BLUE
BUTTON

Passive
GREY
BUTTON

RCD01WAVN
Valiance+® RCD Protected Single Gang White Switched Socket – Active




RCD02WPVN
Valiance+® RCD Protected Single Gang White Switched Socket – Passive



RCD03MAVN
Valiance+® RCD Protected Single Gang Metal Switched Socket – Active



RCD04MPVN
Valiance+® RCD Protected Single Gang Metal Switched Socket – Passive



RCD05WAVN
Valiance+® RCD Protected Double Gang White Switched Socket – Active



RCD06WPVN
Valiance+® RCD Protected Double Gang White Switched Socket – Passive



RCD07MAVN
Valiance+® RCD Protected Double Gang Metal Switched Socket – Active



RCD08MPVN
Valiance+® RCD Protected Double Gang Metal Switched Socket – Passive



RCD10WPVN
Valiance+® RCD Protected Single Gang White Fused Connection Unit – Passive



RCD11WPVN
Valiance+® RCD Protected Single Gang White Fused Connection Unit – Passive



RCD16MLN
Valiance+® RCD Protected Single Gang Metal Fused Connection Unit – Passive



Matrix Dimmer Kits & Replacement Modules

BRITISH MADE



1. Select dimmer pack* >
 2. Choose dimmer modules >
 3. Assemble
- *Dimmer pack includes faceplate, knobs, nuts and spanner for assembly.

Matrix Dimmer Pack - White Plastic (For other finishes see range pages)

Cat No.	Size of Module permitted	Max Total Plate Wattage LED	Max Total Plate Wattage Halogen
Choose plate kit (fixing nut, dimmer knobs and spanner included)			
mix & match dimmer modules and self-assemble for total flexibility			
WQ1W	1-Gang Dimmer Kit White Knobs (Single Plate)	S, M, L	400
WQD1W	1-Gang Dimmer Kit White Knobs (Twin Plate)	S, M, L, XL	600
WQ2W	2-Gang Dimmer Kit White Knobs (Single Plate)	S	400
WQD2W	2-Gang Dimmer Kit White Knobs (Twin Plate)	S, M, L	600
WQD3W	3-Gang Dimmer Kit White Knobs (Twin Plate)	S, M	600
WQD4W	4-Gang Dimmer Kit White Knobs (Twin Plate)	S	600

Dimmer Modules

For Matrix Dimmer Kits or Replacement use



Commercial Series Dimmers - For all LED Lighting (Leading Edge/Triac Dimming)

Great Value, Patented LED Dimming		Module Size - For Matrix Plate
MKP100	2-Way Push-on Push-off Module 0-100W LED	S
MKP180	2-Way Push-on Push-off Module 15-180W LED	S
MKP220	2-Way Push-On/Off Rotary LED Dimmer 15-220W	L
MKP400	2-Way Push-on Push-off Module 20-400W LED	L
MKP600	2-Way Push-on Push-off Module 40-600W LED	XL



Professional Series Dimmers - For all LED Lighting (Silent Trailing Edge Dimming)

Market leading technology for all LED loads		Module Size - For Matrix Plate
MJP120	2-Way Push-on Push-off Module 0-120W LED	S
MJP120S24	2-Way Push-on Push-off Module 0-120W - Long Spindle Version	M
MJP300	2-Way Push-on Push-off Module 10-300W LED	S



Standard Series Dimmers

Robust UK design build quality for long lasting performance		Module Size - For Matrix Plate
MTR250	1-Way Rotary Module 40-250W	S
MTR250FAN	1-Way Rotary Fan Regulator Module 40-250W	S
MTR402	1-Way Rotary Fan Regulator Module 60-400W	S
MTP250	2-Way Push-on Push-off Module 40-250W	S
MTP402	2-Way Push-on Push-off Module 60-400W	S
MTP500	2-Way Push-on Push-off Module 60-500W	M
MTR1000	1-Way Push-on Push-off Module 200-1000W	L
MFP1M1	2-Way 1-10V Module for multiple HF ballasts/LED drivers requiring 1-10V DC input	S
MH0	2-Way Push-on Push-off Switch Module (Dummy Dimmer) 6 Amp	S
MPINT	Intermediate Push-on Push-off Switch Module (Dummy Dimmer) 6 Amp	S



Intelligent Series Dimmers - Ideal for halogen and low voltage

Proven technology for high power dimming you can rely on		Module Size - For Matrix Plate
MIP302	2-Way Push-on Push-off Module 40-300W	S
MIP400	2-Way Push-on Push-off Module 40-400W	M
MIP700	2-Way Push-on Push-off Module 60-700W	L
MIP1000	2-Way Push-on Push-off Module 100-1000W	L

Replacement Dimmer Knobs Single

Cat No.	
WKWH	White Plastic
WKBK	Black Plastic
WKBR	Polished Brass
WKCH	Polished Chrome
WKCU	Polished Copper
WKIR	Iridium Black
WKMB	Matt Black
WKSJ	Satin Chrome
WKSS	Brushed Steel

Replacement Dimmer Knobs 10 Pack

Cat No.	
WKWH10	White Plastic
WKBK10	Black Plastic
WKBR10	Polished Brass
WKCH10	Polished Chrome
WKCU10	Polished Copper
WKIR10	Iridium Black
WKMB10	Matt Black
WKSJ10	Satin Chrome
WKSS10	Brushed Steel



BRITISH MADE 



White Dimmers

V-PRO Smart Dimmers

Cat No.

Push On/Off Dimmers with WIFI control

JQSM101W	1-Gang (2-Way with slave) Master Smart Wifi Dimmer 1x 100W LED Supla
JQSM102W	2-Gang (2-Way with slave) Master Smart Wifi Dimmer 2x 100W LED Supla
JQDSM103W	3-Gang (2-Way with slave) Master Smart Wifi Dimmer 3x 100W LED Supla
JQDSM104W	4-Gang (2-Way with slave) Master Smart Wifi Dimmer 4x 100W LED Supla
MJSM100	Smart Wifi Dimmer Module 100W LED Master Supla

Push On/Off Dimmers without WIFI control

JQM101W	1-Gang (2-Way with slave) Master Smart Dimmer 1x 100W LED
JQM102W	2-Gang (2-Way with slave) Master Smart Dimmer 2x 100W LED
JQDM103W	3-Gang Slave Smart Dimmer LED (for use with V-Pro Smart Master Dimmers on 2-Way)
JQDM104W	4-Gang Slave Smart Dimmer LED (for use with V-Pro Smart Master Dimmers on 2-Way)
MJM100	Master Smart Dimmer Module 1x 100W LED (2-Way with Slave)

Use V-Pro Smart Slaves in conjunction with the above products (for use on 2-Way / Multi-Way Circuits)

JQS1W	1-Gang Slave Smart Dimmer LED (for use with V-Pro Smart Master Dimmers on 2-Way)
JQS2W	2-Gang Slave Smart Dimmer LED (for use with V-Pro Smart Master Dimmers on 2-Way)
JQDS3W	3-Gang Slave Smart Dimmer LED (for use with V-Pro Smart Master Dimmers on 2-Way)
JQDS4W	4-Gang Slave Smart Dimmer LED (for use with V-Pro Smart Master Dimmers on 2-Way)
MJS	Slave Smart Dimmer Module (for use with V-Pro Smart Master Dimmers on 2-Way)

V-Pro Smart Dimmer Module Kit - All you need for 2 or 3-Way Dimming

MJKIT2W	V-Pro Smart Non-WiFi Dimmer Kit 120W LED for 2-Way Circuits (1x Master + 1x Slave module)
MJKIT3W	V-Pro Smart Non-WiFi Dimmer Kit 120W LED for 3-Way Circuits (1x Master + 2x Slave module)

White Dimmer Switches (Pre-assembled Dimmers - Versatile Matrix dimmer kits also available on Page 108)

Cat No.

V-DIM 1 or 2-Way Standard Series Dimmers

HQ1W	1-Gang 1-Way Rotary Dimmer 1x 60-400W
HQ2W	2-Gang 1-Way Rotary Dimmer 2x 40-250W
HQ3W	1-Gang 2-Way Push-on Push-off Dimmer 1x 60-400W
HQ4W	2-Gang 2-Way Push-on Push-off Dimmer 2x 40-250W
HQ43W	3-Gang 2-Way Push-on Push-off Dimmer 3x 40-250W (Twin Plate)
HQ44W	4-Gang 2-Way Push-on Push-off Dimmer 4x 40-250W (Twin Plate)
HQ83W	2-Gang 2-Way Push-on Push-off Dimmer 2x 60-400W
TQR1001W	1-Gang 1-Way Rotary Dimmer 1x 200-1000W
FQP1M1W	1-Gang 2-Way Dimmer for multiple HF ballasts/LED drivers requiring 1-10V DC input
HQ10W	1-Gang 1-Way Rotary Fan Regulator 1x 40-250W

V-PLUS Intelligent Series Dimmers

IQP401W	1-Gang 2-Way Push-on Push-off Dimmer 1x 40-400W
IQP1001W	1-Gang 2-Way Push-on/off Rotary Dimmer 1x 200-1000W

V-COM Commercial Series Dimmers

Best for
LED

KQP101W	1-Gang 2-Way Push-on Push-off LED Dimmer 1x 10-100W
KQP221W	1-Gang 2-Way Push-on Push-off LED Dimmer 1x 30-220W
KQP401W	1-Gang 2-Way Push-on Push-off LED Dimmer 1x 40-400W
KQP102W	2-Gang 2-Way Push-on Push-off LED Dimmer 2x 10-100W
KQDP601W	1-Gang 2-Way Push-on Push-off LED Dimmer 1x 60-600W (Twin Plate)
KQDP183W	3-Gang 2-Way Push-on Push-off LED Dimmer 3x 25-180W (Twin Plate)

V-PRO Professional Series Dimmers

Best for
LED

JQP401W	1-Gang 2-Way Push-on Push-off LED Dimmer 1x 0-120W (Max 10 LEDs)
JQP601W	1-Gang 2-Way Push-on Push-off LED Dimmer 1x 10-300W (Max 30 LEDs) (500W Halogen)
JQP252W	2-Gang 2-Way Push-on Push-off LED Dimmer 2x 0-120W (Max 10 LEDs)
JQDP303W	3-Gang 2-Way Push-on Push-off LED Dimmer 3x 0-120W (Max 10 LEDs) (Twin Plate)
JQDP254W	4-Gang 2-Way Push-on/off LED Dimmer 4x 0-120W (Max 10 LEDs) (Twin Plate)

V-PRO MULTI POINT Professional Series Dimmers

Best for
LED

JOT101C	1-Gang Multi-Way Touch Master LED Dimmer 1x 0-100W (1-10 LEDs)
JOT102C	2-Gang Multi-Way Touch Master LED Dimmer 2x 0-100W (1-10 LEDs)
JOT103C	3-Gang Multi-Way Touch Master LED Dimmer 3x 0-100W (1-10 LEDs) (Twin Plate)
JOT104C	4-Gang Multi-Way Touch Master LED Dimmer 4x 0-100W (1-10 LEDs) (Twin Plate)
JOTS001C	1-Gang Multi-Way Touch LED Dimming Slave for use with Touch Master on Multi-Way Circuits
JOTS002C	2-Gang Multi-Way Touch LED Dimming Slave for use with Touch Master on Multi-Way Circuits
JOTS003C	3-Gang Multi-Way Touch LED Dimming Slave for use with Touch Master on Multi-Way Circuits (Twin Plate)
JOTS004C	4-Gang Multi-Way Touch LED Dimming Slave for use with Touch Master on Multi-Way Circuits (Twin Plate)

V-PRO-IR Professional Series Remote Control Dimmers

Best for
LED

JQI401	1-Gang 1-Way Remote Control/Touch Master LED Dimmer 1x 0-100W (Max 10 LEDs)
JQI252	2-Gang 1-Way Remote Control/Touch Master LED Dimmer 2x 0-100W (Max 10 LEDs)
IQS001	1-Gang Touch Control Dimming Slave for use with Master only on 2-Way Circuits
IQS002	2-Gang Touch Control Dimming Slave for use with Master only on 2-Way Circuits

Use optional controllers below to control V-Pro IR dimmers

YRC8	8 Button infrared remote control handset
------	--

- Dim lights with a phone, tablet or the dimmer
- Simply replace existing switch or dimmer
- No extra wiring and no hub required
- Works with Amazon Alexa and Google Home
- Dim from multiple switch locations using slaves
- Choose non-Wifi master for simple 2-way or multi-way dimming

For Dimmer Selection Guide please visit www.varilight.co.uk/info



JQDSM104W



JQP252W



JQDP303W



FQP1M1W

PowerGrid

BRITISH MADE



PowerGrid Plate Finishes

- Q = White (Not available in Classic)
- L = Black (1-4 gang only) (Not available in Classic)
- S = Brushed Steel (Not available in Classic see below)
- C = Polished Chrome
- I = Iridium Black
- V = Polished Brass
- M = Mocha (Not available in Classic)
- B = Brushed Brass (Not available in Classic)
- N = Satin
- R = Pewter
- W = White Chocolate (Not available in Classic)

The below are available in 8 & 12 gang only (Supplement applies to these finishes)

- Y_BC = Brushed Copper
- Y_BZ = Brushed Bronze
- Y_CU = Polished Copper
- Y_MB = Matt Black
- Y_PD = Primed Ready to Paint

Ordering is SIMPLE and EASY
First pick a FINISH CODE from list above. Next, pick a product and 'code' the asterisk.

2. Select a Powergrid Frames to suit



3. Select your combination of Powergrid Inserts



Cat No.	Grid Spaces
---------	-------------

PowerGrid Plates		
XD*PG1	1-Gang Grid Plate (Single Plate)	1
XD*PG2	2-Gang Grid Plate (Single Plate)	2
XD*PG3	3-Gang Grid Plate (Twin Plate)	3
XD*PG4	4-Gang Grid Plate (Twin Plate)	4
XD*PG6	6-Gang Grid Plate (Double Twin Plate)	6
XD*PG8	8-Gang Grid Plate (Double Twin Plate)	8
XD*PG9	9-Gang Grid Plate (Triple Twin Plate)	9
XD*PG12	12-Gang Grid Plate (Triple Twin Plate)	12

PowerGrid Frames - For use with above plates		
Z3PGRID1	1-Gang Single Grid Frame (Yoke)	1
Z3PGRID2	2-Gang Single Grid Frame (Yoke)	2
Z3PGRID3	3-Gang Twin Grid Frame (Yoke)	3
Z3PGRID4	4-Gang Twin Grid Frame (Yoke)	4

PowerGrid Inserts (Refer to key on next page for insert finishes)		
GB*	1-Gang Blanking Insert	1
G102S*	10A 2-Way Switch	1
G100P*	10A Multi-Way Push-to-Make Retractive Switch	1
G102SR*	10A 2-Way & Centre Off Retractive Switch	1
G103S*	10A Intermediate Switch	1
G201D*	20A 1-Way Double Pole Switch	1
G201DN*	20A 1-Way Double Pole Switch + Neon	1
G201DK*	20A 1-Way Double Pole Key Switch	1
G202S*	20A 2-Way Single Pole Switch	1
G202SK*	20A 2-Way Single Pole Key Switch	1
G13FH*	13A Fuse Holder	1
G16FO*	16A Flex Outlet	1
GNAW	Indicator Light Module - Amber (White Surround Only)	1
GNGW	Indicator Light Module - Green (White Surround Only)	1
GNRW	Indicator Light Module - Red (White Surround Only)	1

Engraved PowerGrid Inserts (Refer to key on next page for insert finishes)		
G201D*BR	20A 1-Way Double Pole Switch 'Boiler'	1
G201D*CH	20A 1-Way Double Pole Switch 'Cooker Hood'	1
G201D*DW	20A 1-Way Double Pole Switch 'Dishwasher'	1
G201D*FF	20A 1-Way Double Pole Switch 'Fridge Freezer'	1
G201D*FG	20A 1-Way Double Pole Switch 'Fridge'	1
G201D*FN	20A 1-Way Double Pole Switch 'Fan'	1
G201D*FZ	20A 1-Way Double Pole Switch 'Freezer'	1
G201D*HB	20A 1-Way Double Pole Switch 'Hob'	1
G201D*HT	20A 1-Way Double Pole Switch 'Hot Tap'	1
G201D*MW	20A 1-Way Double Pole Switch 'Microwave'	1
G201D*OV	20A 1-Way Double Pole Switch 'Oven'	1
G201D*TD	20A 1-Way Double Pole Switch 'Tumble Dryer'	1
G201D*WM	20A 1-Way Double Pole Switch 'Washing Machine'	1
G201D*WA	20A 1-Way Double Pole Switch 'Waste Disposal'	1
G201D*WC	20A 1-Way Double Pole Switch 'Wine Cooler'	1
G201D*WD	20A 1-Way Double Pole Switch 'Warming Drawer'	1
G201D*WL	20A 1-Way Double Pole Switch 'Worktop Lighting'	1
G201D*E	20A 1-Way Double Pole Switch with Bespoke Engraving	1
G202SKWEL	20A 2-Way Single Pole Key Switch 'EMG LTG TEST' (White with red lettering)	1

For PowerGrid plates in other plate styles, please see the relevant range pages



BRITISH MADE

Grid Modules for PowerGrid & other Grid Types

PowerGrid Dimmer Modules

GH0W	2-Way Push-on Push-off Replacement Switch Module (Dummy Dimmer) 6A White
GH0B	2-Way Push-on Push-off Replacement Switch Module (Dummy Dimmer) 6A Black
GH0*	2-Way Push-on Push-off Replacement Switch Module (Dummy Dimmer) 6A Decorative
GPINTW	Intermediate Push-on Push-off Replacement Switch Module (Dummy Dimmer) 6A White
GPINTB	Intermediate Push-on Push-off Replacement Switch Module (Dummy Dimmer) 6A Black
GPINT*	Intermediate Push-on Push-off Replacement Switch Module (Dummy Dimmer) 6A Decorative
GFP1M1W	1-10V 2-Way Replacement Dimmer Module for multiple HF ballasts/LED drivers requiring 1-10V DC input White
GFP1M1B	1-10V 2-Way Replacement Dimmer Module for multiple HF ballasts/LED drivers requiring 1-10V DC input Black
GFP1M1*	1-10V 2-Way Replacement Dimmer Module for multiple HF ballasts/LED drivers requiring 1-10V DC input Decorative

V-DIM Standard Series Dimmers

GP250W	2-Way Push-on/off Rotary 40-250W Dimmer White
GP250*	2-Way Push-on/off Rotary 40-250W Dimmer Decorative
GP400W	2-Way Push-on/off Rotary 60-400W Dimmer White
GP400B	2-Way Push-on/off Rotary 60-400W Dimmer Black
GP400*	2-Way Push-on/off Rotary 60-400W Dimmer Decorative

V-PLUS Intelligent Series Dimmers

GIP400W	2-Way Push-on/off Rotary 40-400W Dimmer White
GIP400B	2-Way Push-on/off Rotary 40-400W Dimmer Black
GIP400*	2-Way Push-on/off Rotary 40-400W Dimmer Decorative

V-COM Commercial Series Dimmers

GKP180W	2-Way Push-on/off Rotary 15-180W LED Dimmer (Max 20 LEDs) White
GKP180B	2-Way Push-on/off Rotary 15-180W LED Dimmer (Max 20 LEDs) Black
GKP180*	2-Way Push-on/off Rotary 15-180W LED Dimmer (Max 20 LEDs) Decorative

V-PRO Professional Series Dimmers

GJP100W	2-Way Push-on/off Rotary 0-120W LED Dimmer (Max 10 LEDs) White
GJP100B	2-Way Push-on/off Rotary 0-120W LED Dimmer (Max 10 LEDs) Black
GJP100*	2-Way Push-on/off Rotary 0-120W LED Dimmer (Max 10 LEDs) Decorative
GJP300W	2-Way Push-on/off Rotary 10-300W LED Dimmer (Max 30 LEDs) White
GJP300B	2-Way Push-on/off Rotary 10-300W LED Dimmer (Max 30 LEDs) Black
GJP300*	2-Way Push-on/off Rotary 10-300W LED Dimmer (Max 30 LEDs) Decorative

V-Pro Smart (Non WIFI) - Use the V-Pro Smart Master and 1 or 2 Slaves for Multi-Way Dimming

GJM100B	2-Way (with slave) Master LED Smart Dimmer 0-100W (1-10 LEDs) (1 Grid Space) Black
GJM100W	2-Way (with slave) Master LED Smart Dimmer 0-100W (1-10 LEDs) (1 Grid Space) White
GJM100*	2-Way (with slave) Master LED Smart Dimmer 0-100W (1-10 LEDs) (1 Grid Space)
GJSB	LED Smart Dimmer Slave Only (1 Grid Space) Black
GJSW	LED Smart Dimmer Slave Only (1 Grid Space) White
GJS*	LED Smart Dimmer Slave Only (1 Grid Space)

V-Pro Multi-Point - Touch and Remote Dimmers for use with PowerGrid

V-PRO MULTI POINT LED Dimmer featuring

GJT100*	Multi-Way Touch Master LED Dimmer 0-100W (1-10 LEDs) (Not Black or White)
GJE100*	Multi-Way Remote Control/Touch Master LED Dimmer 0-100W (1-10 LEDs) (Not Black or White)
GJES*	Touch Control Dimming Slave for use with Master only Decorative (Not Black or White)

PowerGrid Inserts

- C = Polished Chrome
- I = Iridium Black
- S = Brushed Steel
- V = Brass
- B = Black
- W = White

Ordering is **SIMPLE and EASY**
First pick a FINISH CODE from list above. Next, pick a product and 'code' the asterisk.

2. Select a Powergrid Frames to suit



3. Select your combination of Powergrid Inserts



MULTIGRID

Varilight Dimmers for 7 Other Grid Systems:
MK LOGIC | SCHNEIDER ULTIMATE | SCHNEIDER LISSE
CRABTREE | HAGER | BG NEXUS | DETA

Buy a MultiGrid Dimmer for all 7 brands or choose a PowerGrid Dimmer & a Grid Clip Pack for 1 brand

MultiGrid Dimmers - Supplied with clips for each of the grid systems below

MK, Crabtree, Hager, Deta, BG, Schneider Lisse & Schneider Ultimate GET grid systems

White	Black	
GJP100WMG	GJP100BMG	2-Way Push-on Push-off LED Dimmer 1x 0-100W (Max 10 LEDs)
GJP300WMG	GJP300BMG	2-Way Push-on Push-off LED Dimmer 1x 0-300W (Max 30 LEDs)

V-Pro Smart (Non WIFI) - Use the V-Pro Smart Master and 1 or 2 Slaves for Multi-Way Dimming

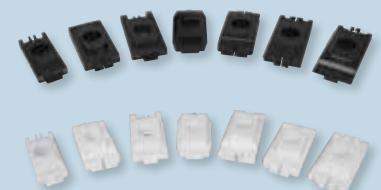
White	Black	
GJM100WMG	GJM100BMG	2-Way (with slave) Master Dimmer 0-100W (1-10 LEDs) (1 Grid Space)
GJSWMG	GJSBMG	LED Smart Dimmer Slave Only (1 Grid Space)

Grid Dimmer Clips - Combine with above PowerGrid dimmers to enable use with other grid systems

For more efficient stock holding and to help reduce plastic waste you can now buy individual packs of 10 grid clips for your chosen grid system or a pack which includes one of each. Choose your dimmer from the above PowerGrid dimmers, then the required dimmer clips below.

White	Black	
GAW.MG	GAB.MG	Dimmer Grid Adaptors One of each type below
GAW.BG	GAB.BG	Dimmer Grid Adaptors BG Nexus (10-pack)
GAW.CT	GAB.CT	Dimmer Grid Adaptors Crabtree (10-pack)
GAW.DE	GAB.DE	Dimmer Grid Adaptors Deta (10-pack)
GAW.GU	GAB.GU	Dimmer Grid Adaptors Schneider Ultimate (GET) (10-pack)
GAW.HA	GAB.HA	Dimmer Grid Adaptors Hager (10-pack)
GAW.LI	GAB.LI	Dimmer Grid Adaptors Schneider Lisse (10-pack)
GAW.MK	GAB.MK	Dimmer Grid Adaptors MK Grid Plus (10-pack)
GAW.PG	GAB.PG	Dimmer Grid Adaptors Varilight PowerGrid (10-pack)

Grid Dimmer Clip Selection



The Quality, Value Product Range

BRITISH MADE

Ordering is
SIMPLE and EASY
*For Matt Chrome
Accessories with Black
Inserts add B and for
White add W

B = Black inserts
W = White Inserts



Cat No.

Floor Sockets

YFS4B		1-Gang 13A Double Pole Floor Socket - Brushed Steel / Black Insert only
YFS5B		2-Gang 13A Double Pole Floor Socket - Brushed Steel / Black Insert only

Cat No.

Standard Series Dimmers

Polar White	Matt Chrome	
HO3W	HS3	1-Gang 2-Way Push-on Push-off 1x 60-400W
HO4W	HS4	2-Gang 2-Way Push-on Push-off 2x 40-250W
	HS43	3-Gang 2-Way Push-on Push-off 3x 40-250W (Twin Plate)
	HS44	4-Gang 2-Way Push-on Push-off 4x 40-250W (Twin Plate)

Professional Series Dimmers

JOP401W	JSP401	1-Gang 2-Way Push-on Push-off 1x 0-120W (1-10 LEDs)
JOP252W	JSP252	2-Gang 2-Way Push-on Push-off 2x 0-120W (1-10 LEDs)
	JSDP303	3-Gang 2-Way Push-on Push-off 3x 0-120W (1-10 LEDs) (Twin Plate)
	JSDP254	4-Gang 2-Way Push-on Push-off 4x 0-120W (1-10 LEDs) (Twin Plate)

Professional Series Dimmers

	JSE101	1-Gang Multi-Way Remote Control/Touch Master LED Dimmer 1x 0-100W (Max 10 LEDs)
	JSE102	2-Gang Multi-Way Remote Control/Touch Master LED Dimmer 2x 0-100W (Max 10 LEDs)
	JSE103	3-Gang Multi-Way Remote Control/Touch Master LED Dimmer 3x 0-100W (Max 10 LEDs)
	JSE104	4-Gang Multi-Way Remote Control/Touch Master LED Dimmer 4x 0-100W (Max 10 LEDs)

Use V-Pro Multi-Point Touch Control dimming slaves in conjunction with above products on 2-Way / Multi-Way Circuits

	JSES001	1-Gang Touch Control Dimming Slave for use with V-Pro Multi-Point Master only
	JSES002	2-Gang Touch Control Dimming Slave for use with V-Pro Multi-Point Master only
	JSES003	3-Gang Touch Control Dimming Slave for use with V-Pro Multi-Point Master only (Twin Plate)
	JSES004	4-Gang Touch Control Dimming Slave for use with V-Pro Multi-Point Master only (Twin Plate)

PowerGrid Plates - Including Yoke

XOPGY1	XSPGY1	1-Gang Grid Plate (Single Plate) inc Yoke
XOPGY2	XSPGY2	2-Gang Grid Plate (Single Plate) inc Yoke
XOPGY3	XSPGY3	3-Gang Grid Plate (Twin Plate) inc Yoke
XOPGY4	XSPGY4	4-Gang Grid Plate (Twin Plate) inc Yoke

Matrix Dimmer Pack - Choose plate kit (fixing nut, dimmer knobs and spanner included)
mix & match dimmer modules (see page 108) **and self-assemble for total flexibility**

	WS1	1-Gang Dimmer Kit (Single Plate)
	WSD1	1-Gang Dimmer Kit (Twin Plate)
	WS2	2-Gang Dimmer Kit (Single Plate)
	WSD2	2-Gang Dimmer Kit (Twin Plate)
	WSD3	3-Gang Dimmer Kit (Twin Plate)
	WSD4	4-Gang Dimmer Kit (Twin Plate)

Cat No.

Switches

Polar White	Matt Chrome with Black or White inserts	Matt Chrome with Decorative inserts	
XO0W			1-Gang 10A 1-Way Rocker Switch
XO1W	XS1*	XS1D	1-Gang 10A 1 or 2-Way Rocker Switch
XO2W	XS2*	XS2D	2-Gang 10A 1 or 2-Way Rocker Switch
XO3W	XS3*	XS3D	3-Gang 10A 1 or 2-Way Rocker Switch
	XS93*	XS93D	3-Gang 10A 1 or 2-Way Rocker Switch (Twin Plate)
XO9W	XS9*	XS9D	4-Gang 10A 1 or 2-Way Rocker Switch (Twin Plate)
	XS96*	XS96D	6-Gang 10A 1 or 2-Way Rocker Switch (Twin Plate)
XO7W	XS7*	XS7D	1-Gang 10A Intermediate Rocker Switch
	XS71*	XS71D	2-Gang 10A Intermediate Switch + 10A 1 or 2-Way Rocker Switch
	XS77*	XS77D	2-Gang 10A Intermediate Rocker Switch
	XSBP*		1-Gang 10A Retractive Switch



BRITISH MADE

The Quality, Value Product Range



XS6B



XS5W



XS5U2W

Ordering is
SIMPLE and EASY
*For Matt Chrome
Accessories with Black
Inserts add B and for
White add W

B = Black inserts
W = White Inserts

Cat No.

Toggle Switches

Polar White	Matt Chrome with Black or White inserts	Matt Chrome with Decorative inserts	
		XST1	1-Gang 10A 1 or 2-Way Toggle Switch
		XST2	2-Gang 10A 1 or 2-Way Toggle Switch
		XST3	3-Gang 10A 1 or 2-Way Toggle Switch
		XST7	1-Gang 10A Intermediate Toggle Switch
		XST71	2-Gang 10A Intermediate Switch + 10A 1 or 2-Way Toggle Switch
		XST77	2-Gang 10A Intermediate Toggle Switch
		XST9	4-Gang 10A 1 or 2-Way Toggle Switch (Twin Plate)

Impulse Push Switches - Decorative wiring accessories

		XSP1	1-Gang 6A 1 or 2-Way Push-On/Off Impulse Switch
		XSP2	2-Gang 6A 1 or 2-Way Push-On/Off Impulse Switch
		XSP3	3-Gang 6A 1 or 2-Way Push-On/Off Impulse Switch (Twin Plate)
		XSP4	4-Gang 6A 1 or 2-Way Push-On/Off Impulse Switch (Twin Plate)

Momentary Push to Make Switches

		XSM1	1-Gang 6A 1-Way Push-to-Make Momentary Switch
		XSM2	2-Gang 6A 1-Way Push-to-Make Momentary Switch
		XSM3	3-Gang 6A 1-Way Push-to-Make Momentary Switch (Twin Plate)
		XSM4	4-Gang 6A 1-Way Push-to-Make Momentary Switch (Twin Plate)

Sockets

XO4PW			1-Gang 13A Switched Socket (Single Pole)
XO4UW			1-Gang 13A Unswitched Socket
XO4W	XS4*	XS4D	1-Gang 13A Switched Socket
	XS4U2S*		1-Gang 13A Single Pole Switched Socket + 2x 5V DC 3400mA USB Charging Ports
XO5PW			2-Gang 13A Switched Socket (Single Pole)
XO5UW			2-Gang 13A Unswitched Socket
	XS5*	XS5D	2-Gang 13A Switched Socket
	XS5UAC*		2-Gang 13A Single Pole Switched Socket + 1x USB A + 1x USB C Charging Ports
	XS5U2*		2-Gang 13A Unswitched Socket + 2x 5V DC 2100mA USB Charging Ports
XO5U2SW	XS5U2S*	XS5U2SD	2-Gang 13A Switched Socket + 2x 5V DC 2100mA USB Charging Ports
	XS5VS*		2-Gang 13A Single Pole Switched Socket V-Pro Smart Wi-Fi Supla

DataGrid Plate - (For TV, Telephone, Data Etc)

		XSG1	DataGrid Plate (1 Grid Space)
		XSG2	DataGrid Plate (2 Grid Spaces)
		XSG4	DataGrid Twin Plate (4 Grid Spaces)

Other Accessories

XO8W		XS8	1-Gang TV Socket, Co-Axial
		XS88	2-Gang TV Socket, Co-Axial
		XS88S	2-Gang TV Socket, Co-Axial + F-Type Satellite
	XS8ISO*		1-Gang TV Socket, Isolated Co-Axial
		XS8S	1-Gang TV Socket, F-Type Satellite
XOSB		XS5B	Single Blank Plate
XODB		XS5D	Double Blank Plate
XO6W	XS6*	XS6D	13A Switched Fused Spur
XO6NW	XS6N*	XS6ND	13A Switched Fused Spur + Neon
XO6UW	XS6U*	XS6UD	13A Unswitched Fused Spur
	XS6FON*		13A Switched Fused Spur + Neon + Flex Outlet
	XS6UFO*	XS6UFOD	13A Unswitched Fused Spur + Flex Outlet
	XSFO*	XSFO	13A Flex Outlet Plate
XO20NW	XS20N*	XS20ND	1-Gang 20A Double Pole Rocker Switch + Neon Indicator Light
XO20W	XS20*	XS20D	1-Gang 20A Double Pole Rocker Switch
XO45NW		XS45N	45A Cooker Switch + Neon (Vertical Twin Plate Red Rocker)
XO45PW	XS45P*		45A Cooker Panel with 13A Switched Socket Outlet (Red Rocker)
XO45SW		XS45S	45A Cooker Switch (Single Plate Red Rocker)
XO45O			45A Cooker Flex Output (Single Plate)
	XSRP2A*		1-Gang 2A Round Pin Socket
XORP5AW	XSRP5A*		1-Gang 5A Round Pin Socket
	XSRP15A*		1-Gang 15A Round Pin Socket
XOFIW	XSFI*		10A Fan Isolating Switch (3 Pole)
XORJ456W			RJ45 Cat 6 Data Point
XOSSW	XS5S*		Dual Voltage Shaver Socket
XOTMW	XSTM*		1-Gang Telephone Master Socket 240V/115V
XOTSW	XSTS*		1-Gang Telephone Slave (Extension) Socket
	XSTVFM*		2-Gang Duplex Socket, TV/FM

Urban Range

BRITISH MADE

Ordering is SIMPLE and EASY

First pick a FINISH CODE from list below.
Next, pick a product and 'code' the asterisk.

URBAN STANDARD PLATES	URBAN SCREWLESS PLATES
CU = Polished Copper	BC = Brushed Copper
BZ = Brushed Bronze	MB = Matt Black
MB = Matt Black	AB = Antique Brass
BC = Brushed Copper	BZ = Brushed Bronze
AB = Antique Brass	
CW = Chalk Matt White	
(Change B to W on product code)	
Polished Copper also available with White	
Inserts - Change 'B' to 'W'	

URBAN COLLECTION

Now Including
URBAN SCREWLESS



Cat No. Standard Plate	Cat No. Screwless Plate
------------------------	-------------------------

V-PRO Professional Series Dimmers		Best for LED
JYP401**	JDYP401S**	1-Gang 2-Way Push on Push-off LED Dimmer 1x 0-120W (Max 10 LEDs)
JYP252**	JDYP252S**	2-Gang 2-Way Push on Push-off LED Dimmer 2x 0-120W (Max 10 LEDs)
Push On-Off Dimmers with WiFi control		
JYSM101.**	JDYSM101S**	1-Gang V-Pro Smart Master WiFi Dimmer 1x 100W LED (Multi-Way with up to 2 Supplementary Controllers)
JYSM102.**	JDYSM102S**	2-Gang V-Pro Smart Master WiFi Dimmer 2x 100W LED (Multi-Way with up to 2 Supplementary Controllers)
Push On-Off Dimmers without WiFi control		
JYM101.**	JDYM101S**	1-Gang V-Pro Smart Master (Non-WiFi) Dimmer 1x 100W LED (Multi-Way with up to 2 Supplementary Controllers)
JYM102.**	JDYM102S**	2-Gang V-Pro Smart Master (Non-WiFi) Dimmer 2x 100W LED (Multi-Way with up to 2 Supplementary Controllers)
Use V-Pro Smart Slaves in conjunction with the above products (for use on 2-Way / Multi-Way Circuits)		
JYS1**	JDYS1S**	1-Gang V-Pro Smart Supplementary Controller (Enabling Multi-Way Dimming with a V-Pro Smart Master for up to 3 positions)
JYS2**	JDYS2S**	2-Gang V-Pro Smart Supplementary Controller (Enabling Multi-Way Dimming with a V-Pro Smart Master for up to 3 positions)

Matrix Dimmer Pack (See page 108 for modules)

Cat No. Standard Plate	Cat No. Screwless Plate	Size of Module Permitted	Max Total Plate Wattage LED	Max Total Plate Wattage Halogen
Choose plate kit (fixing nut, dimmer knobs and spanner included) mix & match dimmer modules (see page 108) and self-assemble for total flexibility				
WY1**	WDY1S**	1-Gang Dimmer Kit Single Plate	S,M,L	1000
WYD1**	WDYD1S**	1-Gang Dimmer Kit Twin Plate	S,M,L,XL	1200
WY2**	WDY2S**	2-Gang Dimmer Kit Single Plate	S	1000
WYD2**	WDYD2S**	2-Gang Dimmer Kit Twin Plate	S,M,L	1200
WYD3**	WDYD3S**	3-Gang Dimmer Twin Plate	S,M	1200
WYD4**	WDYD4S**	4-Gang Dimmer Twin Plate	S	1200

Cat No. Standard Plate	Cat No. Screwless Plate
------------------------	-------------------------

Urban Range PowerGrid Plates (Integrated yoke for ease of ordering) - see page 110 for inserts		
XYPGY1**	XDYPGY1S**	1-Gang Grid Plate (Single Plate)
XYPGY2**	XDYPGY2S**	2-Gang Grid Plate (Single Plate)
XYPGY3**	XDYPGY3S**	3-Gang Grid Plate (Twin Plate)
XYPGY4**	XDYPGY4S**	4-Gang Grid Plate (Twin Plate)

Switches		
XY1B**	XDY1S**	1-Gang 10A 1 or 2-Way Rocker Switch
XY2B**	XDY2S**	2-Gang 10A 1 or 2-Way Rocker Switch
XY3B**	XDY3S**	3-Gang 10A 1 or 2-Way Rocker Switch
XY9B**	XDY9S**	4-Gang 10A 1 or 2-Way Rocker Switch (Twin Plate)
XY7B**	XDY7S**	1-Gang Intermediate Rocker Switch
XY71B**	XDY71S**	2-Gang 10A Intermediate Switch + 10A 1 or 2-Way Rocker Switch
XY77B**	XDY77S**	2-Gang 10A Intermediate Switch
XYT1**	XDYT1S**	1-Gang 10A 1 or 2-Way Toggle Switch
XYT2**	XDYT2S**	2-Gang 10A 1 or 2-Way Toggle Switch
XYT3**	XDYT3S**	3-Gang 10A 1 or 2-Way Toggle Switch
XYT7**	XDYT7S**	1-Gang 10A Intermediate Toggle Switch
XYT71**	XDYT71S**	2-Gang 10A Intermediate Switch + 10A 1 or 2-Way Toggle Switch
XYT77**	XDYT77S**	2-Gang 10A Intermediate Toggle Switch
XYT9**	XDYT9S**	4-Gang 10A 1 or 2-Way Toggle Switch (Twin Plate)
XY20B**	XDY20S**	1-Gang 20A Double Pole Rocker Switch
XY20NB**	XDY20NS**	1-Gang 20A Double Pole Rocker Switch + Neon Indicator Light

Sockets		
XY4B**	XDY4BS**	1-Gang 13A Double Pole Switched Socket
XY5B**	XDY5BS**	2-Gang 13A Double Pole Switched Socket
XY4U2SB**	XDY4U2SB**	1-Gang 13A Single Pole Switched Socket + 2x 5V DC 2100mA USB Charging Ports
XY5UACB**	XDY5UACBS**	4-Gang 5V DC 4800mA USB Charging Port (Single Plate)
XY5U2B**	XDY5U2BS**	2-Gang 13A Single Pole Switched Socket + 1x USB A + 1x USB C Charging Ports
XY5U2SB**	XDY5U2SBS**	2-Gang 13A Unswitched Socket + 2x 5V DC 2100mA USB Charging Ports
XY5VSB**	XDY5VBS**	2-Gang 13A Single Pole Switched Socket + 2x 5V DC 2100mA USB Charging Ports
XY5VSB**	XDY5VBS**	2-Gang 13A Single Pole Switched Socket V-Pro Smart Wi-Fi Supla

Other Accessories		
XY6B**	XDY6S**	13A Switched Fused Spur
XY6NB**	XDY6NS**	13A Switched Fused Spur + Neon
XY6UB**	XDY6US**	13A Unswitched Fused Spur
XY6UFOB**	XDY6UFOS**	13A Unswitched Fused Spur + Flex Outlet
XYFOB**	XDYFOS**	16A Flex Outlet Plate
XYSB**	XDYSBS**	Single Blank Plate
XYDB**	XDYDBS**	Double Blank Plate
XYFIB**	XDYFIBS**	10A Fan Isolating Switch (3 Pole)
XY45N**	XDY45NS**	45A Cooker Switch + Neon (Vertical Twin Plate, Red Rocker)
XY45PB**	XDY45PBS**	45A Cooker Panel with 13A Double Pole Switched Socket Outlet (Red Rocker)
XY45S**	XDY45SS**	45A Cooker Switch (Single Plate, Red Rocker)
XYRP5AB**	XDYRP5ABS**	1-Gang 5A Round Pin Socket
XY8**	XDY8S**	1-Gang 10A 2-Way & Off Retractive Switch
XYG1**	XDYG1S**	Dual Voltage Shaver Socket 240V/115V
XYG2**	XDYG2S**	1-Gang TV Socket, Co-Axial
XYG4**	XDYG4S**	DataGrid Plate (1 Grid Space)
		DataGrid Plate (2 Grid Spaces)
		DataGrid Twin Plate (4 Grid Spaces)

Other products available using our Bespoke service - Please contact us for details



BRITISH MADE

Vogue Range

VOGUE COLLECTION



Matt Black, Matt White & Slate Grey Faceplates with Brass Detailing

Cat No

V-PRO Professional Series Dimmers Best for LED

JYP252V** 2-Gang 2-Way Push On/Off Rotary LED Dimmer 2x 0-120W (1-10 LEDs)
 JYP401V** 1-Gang 2-Way Push On/Off Rotary LED Dimmer 1x 0-120W (Max 10 LEDs)

Push On-Off Dimmers with WiFi control

JYSM101V** 1-Gang V-Pro Smart Master WiFi Dimmer 1x 100W LED (Multi-Way with up to 2 Supplementary Controllers)
 JYSM102V** 2-Gang V-Pro Smart Master WiFi Dimmer 2x 100W LED (Multi-Way with up to 2 Supplementary Controllers)

Push On-Off Dimmers without WiFi control

JYM101V** 1-Gang V-Pro Smart Master (Non-WiFi) Dimmer 1x 100W LED (Multi-Way with up to 2 Supplementary Controllers)
 JYM102V** 2-Gang V-Pro Smart Master (Non-WiFi) Dimmer 2x 100W LED (Multi-Way with up to 2 Supplementary Controllers)

Use V-Pro Smart Slaves in conjunction with the above products (for use on 2-Way / Multi-Way Circuits)

JYS1V** 1-Gang V-Pro Smart Supplementary Controller (Enabling Multi-Way Dimming with a V-Pro Smart Master for up to 3 positions)
 JYS2V** 2-Gang V-Pro Smart Supplementary Controller (Enabling Multi-Way Dimming with a V-Pro Smart Master for up to 3 positions)

For other dimmers use our Matrix plates & dimmer modules below

Matrix Dimmer Pack (See page 108 for modules)

Cat No.	Size of Module Permitted	Max Total Plate Wattage LED	Max Total Plate Wattage Halogen
---------	--------------------------	-----------------------------	---------------------------------

Choose plate kit (fixing nut, dimmer knobs and spanner included)
mix & match dimmer modules (see page 108) and self-assemble for total flexibility

Code	Description	S, M, L	400	600	1000
WY1V**	1-Gang Dimmer Kit (Single Plate)	S, M, L	400	600	1000
WYD1V**	1-Gang Dimmer Kit (Twin Plate)	S, M, L, XL	600	1200	1200
WY2V**	2-Gang Dimmer Kit (Single Plate)	S	400	600	1000
WYD2V**	2-Gang Dimmer Kit (Twin Plate)	S, M, L	600	1200	1200
WYD3V**	3-Gang Dimmer (Twin Plate)	S, M	600	1200	1200
WYD4V**	4-Gang Dimmer (Twin Plate)	S	600	1200	1200

Cat No.

Vogue Range PowerGrid Plates (Integrated yoke for ease of ordering) - see page 110 for inserts

XYPGY1**	1-Gang Grid Plate (Single Plate)
XYPGY2**	2-Gang Grid Plate (Single Plate)
XYPGY3**	3-Gang Grid Plate (Twin Plate)
XYPGY4**	4-Gang Grid Plate (Twin Plate)

Switches

XY1V**	1-Gang 10A 1 or 2-Way Rocker Switch
XY2V**	2-Gang 10A 1 or 2-Way Rocker Switch
XY3V**	3-Gang 10A 1 or 2-Way Rocker Switch
XY9V**	4-Gang 10A 1 or 2-Way Rocker Switch (Twin Plate)
XY7V**	1-Gang Intermediate Rocker Switch
XYT1V**	1-Gang 10A 1 or 2-Way Toggle Switch
XYT2V**	2-Gang 10A 1 or 2-Way Toggle Switch
XYT3V**	3-Gang 10A 1 or 2-Way Toggle Switch
XYT7V**	1-Gang Intermediate Toggle Switch
XYT71V**	2-Gang 10A Intermediate Switch + 10A 1 or 2-Way Toggle Switch
XYT77V**	2-Gang 10A Intermediate Toggle Switch
XYT9V**	4-Gang 10A 1 or 2-Way Toggle Switch (Twin Plate)
XY20V**	1-Gang 20A Double Pole Rocker Switch
XY20NV**	1-Gang 20A Double Pole Rocker Switch + Neon Indicator Light

Sockets

XY4V***	1-Gang 13A Double Pole Switched Socket
XY5V***	2-Gang 13A Double Pole Switched Socket
XY5U2SV***	2-Gang 13A Single Pole Switched Socket + 2x 5V DC 2100mA USB Charging Ports
XY5UACV***	2-Gang 13A Single Pole Switched Socket with 1x USB A & 1x USB C Charging Ports

Other Accessories

XY6V**	13A Switched Fused Spur
XY6NV**	13A Switched Fused Spur + Neon
XYSB**	Single Blank Plate
XYDB**	Double Blank Plate
XYFI***	10A Fan Isolating Switch (3 Pole)
XYRPSA***	1-Gang 5A Round Pin Socket
XY45N**	45A Cooker Switch + Neon (Vertical Twin Plate, Red Rocker)
XY45P**	45A Cooker Panel with 13A Double Pole Switched Socket Outlet (Red Rocker)
XY45S**	45A Cooker Switch (Single Plate, Red Rocker)
XYSS**	Dual Voltage Shaver Socket 240V/115V
XY8**	1-Gang TV Socket, Co-Axial
XYG1**	DataGrid Plate (1 Grid Space)
XYG2**	DataGrid Plate (2 Grid Spaces)
XYG4**	DataGrid Twin Plate (4 Grid Spaces)

Other products available using our Bespoke service - Please contact us for details

Ordering is
SIMPLE and EASY

First pick a FINISH
CODE from list below.
Next, pick a product
and 'code' the asterisk.

Replace ** with
MB = Matt Black
MW = Matt White
SL = Slate

or

Replace *** with
BMB = Matt Black
WMW = Matt White
BSL = Slate



XY1VMB



XY5VMBM



XY1VMW



XY5VMMW



XY1VSL



XY5VBSL

Classic Range

BRITISH MADE

Ordering is
SIMPLE and EASY

First pick a FINISH
CODE from list below.

Next, pick a product
and 'code' the asterisk.

- B = Brushed Brass ★ ☆
- G = Georgian Brass ★ ☆
- V = Victorian Brass ★ ☆
- C = Mirror Chrome ★ ☆
- N = Satin Chrome ★ ☆
- T = Brushed Steel ★ ☆
- R = Pewter Finish ★
- i = Iridium Black ★
- P = Graphite 21 ★



Brushed Brass



Georgian Brass



Victorian Brass



Mirror Chrome



Satin Chrome

Matrix Dimmer Pack (See page 108 for modules)

Cat No.	Size of Module Permitted	Max Total Plate Wattage LED	Max Total Plate Wattage Halogen	
Choose plate kit (fixing nut, dimmer knobs and spanner included)				
mix & match dimmer modules (see page 108) and self-assemble for total flexibility				
W*1	1-Gang Dimmer Kit Single Plate	S,M,L	400	1000
W*D1	1-Gang Dimmer Kit Twin Plate	S,M,L,XL	600	1200
W*2	2-Gang Dimmer Kit Single Plate	S	400	1000
W*D2	2-Gang Dimmer Kit Twin Plate	S,M,L	600	1200
W*D3	3-Gang Dimmer Twin Plate	S,M	600	1200
W*D4	4-Gang Dimmer Twin Plate	S	600	1200

Cat No.

V-DIM 2-Way Standard Series Dimmers

H*3 1-Gang 2-Way Push-on Push-off Dimmer 1x 60-400W

V-PRO Professional Series Dimmers

J*P401 1-Gang 2-Way Push on Push-off LED Dimmer 1x 0-120W (Max 10 LEDs)
 J*P252 2-Gang 2-Way Push on Push-off LED Dimmer 2x 0-120W (Max 10 LEDs)
 J*DP303 3-Gang 2-Way Push on Push-off LED Dimmer 3x 0-120W (Max 10 LEDs) (Twin Plate)
 J*DP254 4-Gang 2-Way Push on-off LED Dimmer 4x 0-120W (Max 10 LEDs) (Twin Plate)

V-PRO Smart Simply Connect Dimmers (See page 76 for more information)

Push On-Off Dimmers with WiFi control
 J*SM101 1-Gang V-Pro Smart Master WiFi Dimmer 1x 100W LED (Multi-Way with up to 2 Supplementary Controllers)
 J*SM102 2-Gang V-Pro Smart Master WiFi Dimmer 2x 100W LED (Multi-Way with up to 2 Supplementary Controllers)

Push On-Off Dimmers without WiFi control
 J*M101 1-Gang V-Pro Smart Master (Non-WiFi) Dimmer 1x 100W LED (Multi-Way with up to 2 Supplementary Controllers)
 J*M102 2-Gang V-Pro Smart Master (Non-WiFi) Dimmer 2x 100W LED (Multi-Way with up to 2 Supplementary Controllers)

Use V-Pro Smart Slaves in conjunction with the above products (for use on 2-Way / Multi-Way Circuits)
 J*S1 1-Gang V-Pro Smart Supplementary Controller (Enabling Multi-Way Dimming with a V-Pro Smart Master for up to 3 positions)
 J*S2 2-Gang V-Pro Smart Supplementary Controller (Enabling Multi-Way Dimming with a V-Pro Smart Master for up to 3 positions)

V-PRO MULTI-POINT REMOTE Professional Series Remote Control Dimmers

J*E101 1-Gang Multi-Way Remote Control/Touch Master LED Dimmer 1x 0-100W (Max 10 LEDs)
 J*E102 2-Gang Multi-Way Remote Control/Touch Master LED Dimmer 2x 0-100W (Max 10 LEDs)
 J*E103 3-Gang Multi-Way Remote Control/Touch Master LED Dimmer 3x 0-100W (Max 10 LEDs)
 J*E104 4-Gang Multi-Way Remote Control/Touch Master LED Dimmer 4x 0-100W (Max 10 LEDs)

Use V-Pro Multi-Point touch control dimming slaves in conjunction with above products on 2-Way / Multi-Way Circuits
 J*ES001 1-Gang Touch Control Dimming Slave for use with V-Pro Multi-Point Master only
 J*ES002 2-Gang Touch Control Dimming Slave for use with V-Pro Multi-Point Master only
 J*ES003 3-Gang Touch Control Dimming Slave for use with V-Pro Multi-Point Master only (Twin Plate)
 J*ES004 4-Gang Touch Control Dimming Slave for use with V-Pro Multi-Point Master only (Twin Plate)

Use optional controllers below to control V-Pro IR and V-Pro Multi-Point Dimmers
 YRC8 8 Button infrared remote control handset
 YRE8 LightScene scene-setting remote control handset

Classic Range PowerGrid Plates (Integrated yoke for ease of ordering) - see page 110 for inserts

X*PGY1 1-Gang Grid Plate (Single Plate)
 X*PGY2 2-Gang Grid Plate (Single Plate)
 X*PGY3 3-Gang Grid Plate (Twin Plate)
 X*PGY4 4-Gang Grid Plate (Twin Plate)

Switches & Other Accessories

Black Inserts ★	White Inserts ☆	Decorative Rockers	
X*1B	X*1W	X*1D	1-Gang 10A 1 or 2-Way Rocker Switch
X*2B	X*2W	X*2D	2-Gang 10A 1 or 2-Way Rocker Switch
X*3B	X*3W	X*3D	3-Gang 10A 1 or 2-Way Rocker Switch
X*93B	X*93W	X*93D	3-Gang 10A 1 or 2-Way Rocker Switch (Twin Plate)
X*9B	X*9W	X*9D	4-Gang 10A 1 or 2-Way Rocker Switch (Twin Plate)
X*96B	X*96W	X*96D	6-Gang 10A 1 or 2-Way Rocker Switch (Twin Plate)
X*7B	X*7W		1-Gang Intermediate Rocker Switch
X*71B	X*71W		2-Gang Intermediate Switch + 10A 1 or 2-Way Rocker Switch
X*77B	X*77W		2-Gang Intermediate Switch
		X*7D	1-Gang Intermediate Rocker Switch
		X*71D	2-Gang Intermediate Switch + 10A 1 or 2-Way Rocker Switch
		X*77D	2-Gang Intermediate Switch
		X*6D	13A Switched Fused Spur
		X*6ND	13A Switched Fused Spur + Neon
		X*6UD	13A Unswitched Fused Spur
		X*6UFOD	13A Unswitched Fused Spur + Flex Outlet
		X*FOD	16A Flex Outlet Plate
		X*20D	1-Gang 20A Double Pole Rocker Switch
		X*20ND	1-Gang 20A Double Pole Rocker Switch + Neon

Toggle Switches

	X*T1	1-Gang 10A 1 or 2-Way Toggle Switch
	X*T2	2-Gang 10A 1 or 2-Way Toggle Switch
	X*T3	3-Gang 10A 1 or 2-Way Toggle Switch
	X*T7	1-Gang Intermediate Toggle Switch
	X*T71	2-Gang 10A Intermediate Switch + 10A 1 or 2-Way Toggle Switch
	X*T77	2-Gang 10A Intermediate Toggle Switch
	X*T9	4-Gang 10A 1 or 2-Way Toggle Switch (Twin Plate)

Many combinations of dimmers and switches can be made to order using "Varilight Bespoke" service



BRITISH MADE 

Classic Range

Cat No.	
Switches & Other Accessories	
Black Inserts ★	White Inserts ☆
Decorative Rockers	
Impulse Push Switches - Decorative wiring accessories	
X*P1	1-Gang 6A 1 or 2-Way Push-on Push-off Switch
X*P2	2-Gang 6A 1 or 2-Way Push-on Push-off Switch
X*P3	3-Gang 6A 1 or 2-Way Push-on Push-off Switch (Twin Plate)
X*P4	4-Gang 6A 1 or 2-Way Push-on Push-off Switch (Twin Plate)
Momentary Push to Make Switches	
X*M1	1-Gang 6A 1-Way Push-to-Make Momentary Switch
X*M2	2-Gang 6A 1-Way Push-to-Make Momentary Switch
X*M3	3-Gang 6A 1-Way Push-to-Make Momentary Switch (Twin Plate)
X*M4	4-Gang 6A 1-Way Push-to-Make Momentary Switch (Twin Plate)
Architrave Switches available in polished brass (V), polished chrome (C) and brushed steel (S)	
X*A1D	1-Gang 10A 1 or 2-Way Rocker Switch
X*AT1	1-Gang 10A 1 or 2-Way Toggle Switch

Cat No.		
Black Inserts ★	White Inserts ☆	
Sockets		
X*4B	X*4W	1-Gang 13A Double Pole Switched Socket
X*4DB	X*4DW	1-Gang 13A Double Pole Switched Socket Decorative Rocker
X*4U2SB	X*4U2SW	1-Gang 13A Single Pole Switched Socket + 2x 5V DC 3400mA USB Charging Port
X*5B	X*5W	2-Gang 13A Double Pole Switched Socket
X*5UACB	X*5UACW	2-Gang 13A Single Pole Switched Socket + 1x USB A + 1x USB C Charging Ports
X*5UACDB	X*5UACDW	2-Gang 13A Single Pole Switched Socket with 1x USB A & 1x USB C Charging Ports with Metal Rockers
X*5U2B	X*5U2W	2-Gang 13A Unswitched Socket + 2x 5V DC 2100mA USB Charging Ports
X*5U2SB	X*5U2SW	2-Gang 13A Single Pole Switched Socket + 2x 5V DC 2100mA USB Charging Ports
X*5VSB	X*5VSW	2-Gang 13A Single Pole Switched Socket V-Pro Smart Wi-Fi Supla
X*5DB	X*5DW	2-Gang 13A Double Pole Switched Socket Decorative Rocker
X*5U2SDB	X*5U2SDW	2-Gang 13A Single Pole Switched Socket with Metal Rockers + 2x 5V DC 2100mA USB Charging Ports
Other Accessories		
X*6B	X*6W	13A Switched Fused Spur
X*6FONB	X*6FONW	13A Switched Fused Spur + Neon + Flex Outlet
X*6NB	X*6NW	13A Switched Fused Spur + Neon
X*6UB	X*6UW	13A Unswitched Fused Spur
X*6UFOB	X*6UFOW	13A Unswitched Fused Spur + Flex Outlet
X*FOB	X*FOW	16A Flex Outlet Plate
X*20B	X*20W	1-Gang 20A Double Pole Rocker Switch
X*20NB	X*20NW	1-Gang 20A Double Pole Rocker Switch + Neon Indicator Light
X*FIB	X*FIW	Fan Isolating Switch (3 Pole)
X*45N	X*45N	45A Cooker Switch + Neon (Vertical Twin Plate, Red Rocker)
X*45PB	X*45PW	45A Cooker Panel with 13A Switched Socket
X*45S	X*45S	45A Cooker Switch (Single Plate, Red Rocker)
X*BPB	X*BPW	1-Gang 10A Retractive Switch
X*SB	X*SB	Single Blank Plate
X*DB	X*DW	Double Blank Plate
X*RP2AB	X*RP2AW	1-Gang 2A Round Pin Socket
X*RP5AB	X*RP5AW	1-Gang 5A Round Pin Socket
X*RP15AB	X*RP15AW	1-Gang 15A Round Pin Socket
X*SSB	X*SSW	Dual Voltage Shaver Socket
X*8	X*8	1-Gang Co-axial TV Socket
X*8ISOB	X*8ISOW	1-Gang Co-axial TV Socket (Isolated)
X*8S	X*8S	1-Gang Satellite Socket, F-Type
X*88	X*88	2-Gang TV Socket, Co-Axial
X*88S	X*88S	2-Gang (Co-axial + F-Type Satellite) Socket
X*TVFMB	X*TVFMW	2-Gang Diplex Module, TV/FM
X*TMB	X*TMW	1-Gang Telephone Master Socket
X*TSB	X*TSW	1-Gang Telephone Slave Socket
Brass	Chrome	
YPSB	YPSC	6A Ceiling Pull Cord
YPSB45	YPSC45	45A Ceiling Pull Cord
YBSB	YBSC	Single Pattress Wall Box (for surface mounting)
YBDB	YBDC	Double Pattress Wall Box (for surface mounting)
DataGrid Plate (For TV, Telephone, Data etc - See Data Grid Modules Page)		
X*G1	Decorative Grid Plate (1 Grid Space)	
X*G2	Decorative Grid Plate (2 Grid Spaces)	
X*G4	Decorative Grid Plate (3 or 4 Grid Spaces)	

Ordering is
SIMPLE and EASY
First pick a FINISH
CODE from list below.
Next, pick a product
and 'code' the asterisk.

- B = Brushed Brass ★ ☆
- G = Georgian Brass ★ ☆
- V = Victorian Brass ★ ☆
- C = Mirror Chrome ★ ☆
- N = Satin Chrome ★ ☆
- T = Brushed Steel ★ ☆
- R = Pewter Finish ★
- i = Iridium Black ★
- P = Graphite 21 ★



XSS5DW



XT5U2B



XC5TUW



Brushed Steel



Pewter



Iridium Black



Graphite 21

UltraFlat Plate Range

BRITISH MADE



Ordering is
SIMPLE and EASY

First pick a **FINISH CODE** from list below.
Next, pick a product and 'code' the asterisk.

S = Brushed Steel ★ ☆
B = Brushed Brass ★ ☆
C = Polished Chrome ★ ☆
V = Polished Brass ★ ☆
i = Iridium Black ★



JFCP401



XF11D



XF59D



XF55DW



XFBT1



XFV6ND

Matrix Dimmer Pack (See page 108 for modules)

Cat No.	Size of Module Permitted	Max Total Plate Wattage LED	Max Total Plate Wattage Halogen	
Choose plate kit (fixing nut, dimmer knobs and spanner included)				
mix & match dimmer modules (see page 108) and self-assemble for total flexibility				
WF*1	1-Gang Dimmer Kit (Single Plate)	S,M,L	400	1000
WF*D1	1-Gang Dimmer Kit (Twin Plate)	S,M,L,XL	600	1200
WF*2	2-Gang Dimmer Kit (Single Plate)	S	400	1000
WF*D2	2-Gang Dimmer Kit (Twin Plate)	S,M,L	600	1200
WF*D3	3-Gang Dimmer (Twin Plate)	S,M	600	1200
WF*D4	4-Gang Dimmer (Twin Plate)	S	600	1200

Cat No.	
V-DIM 2-Way Standard Series Dimmers	
HF*3	1-Gang 2-Way Push-on Push-off Dimmer 1x 60-400W
V-PRO Professional Series Dimmers	
JF*P401	1-Gang 2-Way Push on Push-off LED Dimmer 1x 0-120W (Max 10 LEDs)
JF*P252	2-Gang 2-Way Push on Push-off LED Dimmer 2x 0-120W (Max 10 LEDs)

Cat No.	
Switches	
XF*1D	1-Gang 10A 1 or 2-Way Rocker Switch
XF*2D	2-Gang 10A 1 or 2-Way Rocker Switch
XF*3D	3-Gang 10A 1 or 2-Way Rocker Switch
XF*93D	3-Gang 10A 1 or 2-Way Rocker Switch (Twin Plate)
XF*9D	4-Gang 10A 1 or 2-Way Rocker Switch (Twin Plate)
XF*96D	6-Gang 10A 1 or 2-Way Rocker Switch (Twin Plate)
XF*7D	1-Gang Intermediate Rocker Switch
XF*71D	2-Gang Intermediate Switch + 10A 1 or 2-Way Rocker Switch
XF*77D	2-Gang Intermediate Switch

Toggle Switches	
XF*T1	1-Gang 10A 1 or 2-Way Toggle Switch
XF*T2	2-Gang 10A 1 or 2-Way Toggle Switch
XF*T3	3-Gang 10A 1 or 2-Way Toggle Switch
XF*T7	1-Gang Intermediate Toggle Switch
XF*T9	4-Gang 10A 1 or 2-Way Toggle Switch

White Inserts ☆	Black Inserts ★	Decorative Rockers
XF*4DW	XF*4DB	1-Gang 13A Double Pole Switched Socket
XF*5DW	XF*5DB	2-Gang 13A Double Pole Switched Socket Decorative Rocker
XF*5U2SDW	XF*5U2SDB	2-Gang 13A Single Pole Switched Socket with Metal Rockers + 2x 5V DC 2100mA USB Charging Ports
XF*5UACDW	XF*5UACDB	2-Gang 13A Single Pole Switched Socket with 1x USB A & 1x USB C Charging Ports

DataGrid Plate (For TV, Telephone, Data etc - See Data Grid Modules Page)	
XF*G1	Decorative Grid Plate (1 Grid Space)
XF*G2	Decorative Grid Plate (2 Grid Spaces)
XF*G4	Decorative Grid Plate (3 or 4 Grid Spaces)

Other Accessories		
XF*8	1-Gang TV Socket, Co-Axial	
XF*SB	Single Blank Plate	
XF*DB	Double Blank Plate	
XF*6D	13A Switched Fused Spur	
XF*6ND	13A Switched Fused Spur + Neon	
XF*6UD	13A Unswitched Fused Spur	
XF*6UFOD	13A Unswitched Fused Spur + Flex Outlet	
XF*FOD	Flex Outlet Plate	
XF*20D	1-Gang 20A Double Pole Rocker Switch	
XF*20ND	1-Gang 20A Double Pole Rocker Switch + Neon	
XF*45N	45A Cooker Switch + Neon (Vertical Twin Plate, Red Rocker)	
XF*45S	45A Cooker Switch (Single Plate, Red Rocker)	
White Inserts ☆	Black Inserts ★	
XF*TMW	XF*TMB	1-Gang Telephone Master Socket
XF*TSW	XF*TSB	1-Gang Telephone Slave Socket
XF*RP5AW	XF*RP5AB	1-Gang 5A Round Pin Socket
XF*6FONW	XF*6FONB	13A Switched Fused Spur + Neon + Flex Outlet
XF*FiW	XF*FiB	Fan Isolating Switch (3 Pole)
XF*SSW	XF*SSB	Dual Voltage Shaver Socket
XF*45PW	XF*45PB	45A Cooker Panel with 13A Switched Socket
XF*BPW	XF*BPB	1-Gang 10A Retractive Switch

Many combinations of dimmers and switches can be made to order using "Varilight Bespoke" service



BRITISH MADE

VARILIGHT PRIMED



Ready to Paint

Matrix Dimmer Pack (See page 108 for modules)

Cat No.	Size of Module Permitted	Max Total Plate Wattage LED	Max Total Plate Wattage Halogen
---------	--------------------------	-----------------------------	---------------------------------

Choose plate kit (fixing nut, dimmer knobs and spanner included)

mix & match dimmer modules (see page 108) and self-assemble for total flexibility

Chrome	Brass		S, M, L	400	1000
WDY1S.PD	WDY1VS.PD	1-Gang Dimmer Kit (Single Plate)	S, M, L, XL	600	1200
WDY2S.PD	WDY2VS.PD	2-Gang Dimmer Kit (Single Plate)	S	400	1000
WDY25S.PD	WDY25VS.PD	2-Gang Dimmer Kit (Twin Plate)	S, M, L	600	1200
WDY3S.PD	WDY3VS.PD	3-Gang Dimmer Kit (Twin Plate)	S, M	600	1200
WDY4S.PD	WDY4VS.PD	4-Gang Dimmer Kit (Twin Plate)	S	600	1200

Cat No.

V-DIM 2-Way Standard Series Dimmers

Chrome	Brass	
HDY3S.PD	HDY3VS.PD	1-Gang 2-Way Push-on Push-off Dimmer 1x 60-400W

V-PRO Professional Series Dimmers

Chrome	Brass	
JDYP401S.PD	JDYP401VS.PD	1-Gang 2-Way Push-on Push-off LED Dimmer 1x 0-120W (Max 10 LEDs)
JDYP252S.PD	JDYP252VS.PD	2-Gang 2-Way Push-on Push-off LED Dimmer 2x 0-120W (Max 10 LEDs)
JDYDP303S.PD	JDYDP303VS.PD	3-Gang 2-Way Push-on Push-off LED Dimmer 3x 0-120W (Max 10 LEDs) (Twin Plate)
JDYDP254S.PD	JDYDP254VS.PD	4-Gang 2-Way Push-on Push-off LED Dimmer 4x 0-120W (Max 10 LEDs) (Twin Plate)

V-PRO Smart Simply Connect Dimmers (See page 76 for more information)

Chrome	Brass	
JDYSM101S.PD	JDYSM101VS.PD	1-Gang (2-Way with slave) Master Smart WiFi Dimmer 1x 100W LED Supla
JDYSM102S.PD	JDYSM102VS.PD	2-Gang (2-Way with slave) Master Smart WiFi Dimmer 2x 100W LED Supla

Push On-Off Dimmers without WiFi control

JDYM101S.PD	JDYM101VS.PD	1-Gang (2-Way with slave) Master Smart Dimmer 1x 100W LED
JDYM102S.PD	JDYM102VS.PD	2-Gang (2-Way with slave) Master Smart Dimmer 2x 100W LED

Use V-Pro Smart Slaves in conjunction with the above products (for use on 2-Way / Multi-Way Circuits)

JDYS1S.PD	JDYS1VS.PD	1-Gang Slave Smart Dimmer LED (for use with V-Pro Smart Master Dimmers on 2-Way)
JDYS2S.PD	JDYS2VS.PD	2-Gang Slave Smart Dimmer LED (for use with V-Pro Smart Master Dimmers on 2-Way)

Cat No.

Screwless PowerGrid Plates (Integrated yoke for ease of ordering) - See page 110 for inserts

XDYPGY1S.PD		1-Gang Screwless PowerGrid Plate including Yoke (Single Plate)
XDYPGY2S.PD		2-Gang Screwless PowerGrid Plate including Yoke (Single Plate)
XDYPGY3S.PD		3-Gang Screwless PowerGrid Plate including Yoke (Twin Plate)
XDYPGY4S.PD		4-Gang Screwless PowerGrid Plate including Yoke (Twin Plate)

Switches

Chrome	Brass	
XDY1S.PD	XDY1VS.PD	1-Gang 10A 1 or 2-Way Rocker Switch with Metal Rockers
XDY2S.PD	XDY2VS.PD	2-Gang 10A 1 or 2-Way Rocker Switch with Metal Rockers
XDY3S.PD	XDY3VS.PD	3-Gang 10A 1 or 2-Way Rocker Switch with Metal Rockers
XDY9S.PD	XDY9VS.PD	4-Gang 10A 1 or 2-Way Rocker Switch (Twin Plate) with Metal Rockers
XDY7S.PD	XDY7VS.PD	1-Gang 10A Intermediate Rocker Switch with Metal Rockers
XDYT1S.PD	XDYT1VS.PD	1-Gang 10A 1 or 2-Way Toggle Switch
XDYT2S.PD	XDYT2VS.PD	2-Gang 10A 1 or 2-Way Toggle Switch
XDYT3S.PD	XDYT3VS.PD	3-Gang 10A 1 or 2-Way Toggle Switch
XDYT7S.PD	XDYT7VS.PD	1-Gang 10A Intermediate Toggle Switch
XDYT71S.PD	XDYT71VS.PD	2-Gang 10A Intermediate Switch + 10A 1 or 2-Way Toggle Switch
XDYT77S.PD	XDYT77VS.PD	2-Gang 10A Intermediate Toggle Switch
XDYT9S.PD	XDYT9VS.PD	4-Gang 10A 1 or 2-Way Toggle Switch (Twin Plate)
XDY20NDS.PD	XDY20NVS.PD	1-Gang 20A Double Pole Rocker Switch + Neon Indicator Light with Metal Rockers

Sockets

Chrome	Brass	
XDY4*S.PD	XDY4V*S.PD	1-Gang 13A Double Pole Switched Socket with Metal Rockers
XDYU4*S.PD		4 Gang 5V DC 4800mA USB Charging Port (Single Plate)
XDYS*S.PD	XDYSV*S.PD	2-Gang 13A Double Pole Switched Socket with Metal Rockers
XDYSU2S*S.PD	XDYSU2SV*S.PD	2-Gang 13A Single Pole Switched Socket with Metal Rockers + 2 5V DC 2100mA USB Charging Ports
XDYSUAC*S.PD	XDYSUACV*S.PD	2-Gang 13A Single Pole Switched Socket + 1x USB A + 1x USB C Charging Ports
XDYSVS*S.PD	XDYSVSV*S.PD	2-Gang 13A Single Pole Switched Socket V-Pro Smart Wi-Fi Supla

Other Accessories

Chrome	Brass	
XDY6DS.PD	XDY6VDS.PD	13A Switched Fused Spur with Metal Inserts
XDY6NDS.PD	XDY6NVDS.PD	13A Switched Fused Spur + Neon with Metal Inserts
XDYSBS.PD		Single Blank Plate
XDYDBS.PD		Double Blank Plate
XDYFI*S.PD		10A Fan Isolating Switch (3 Pole)
XDYR5A*S.PD		1-Gang 5A Round Pin Socket
XDY45NS.PD		45A Cooker Switch + Neon (Vertical Twin Plate, Red Rocker)
XDY45PN*S.PD		45A Cooker Panel + Neon with 13A Double Pole Switched Socket Outlet (Red Rocker)
XDY45SS.PD		45A Cooker Switch (Single Plate, Red Rocker)
XDYS5*S.PD		Dual Voltage Shaver Socket 230V/115V
XDY8S.PD		1-Gang TV Socket, Co-Axial
XDYG1S.PD		DataGrid Plate (1 Grid Space)
XDYG2S.PD		DataGrid Plate (2 Grid Spaces)
XDYG4S.PD		DataGrid Twin Plate (4 Grid Spaces)

Primed Range

You can now create switches and sockets in exactly the colour you want. The VARILIGHT PRIMED range feature faceplates primed with an undercoat and are ready to paint.

Simply clip off the faceplate, apply your paint, allow to dry, then clip the faceplate back on.

Ordering is SIMPLE and EASY
Replace * with
B = Black Inserts
W = White Inserts



JDYP401VS.PD



XDY1VS.PD



XDY6DS.PD



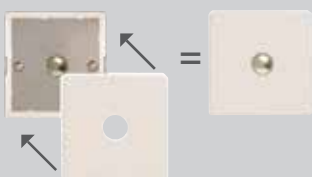
XDYS5S.PD



XDY4WS.PD

Premium White & Black Screwless Flat Plate

BRITISH MADE



JDQSM101S



JDQP252S



IJDL102S



JDLE101S



Matrix Dimmer Pack (See page 108 for modules)

Cat No.	Size of Module Permitted	Max Total Plate Wattage LED	Max Total Plate Wattage Halogen
---------	--------------------------	-----------------------------	---------------------------------

Choose plate kit (fixing nut, dimmer knobs and spanner included) mix & match dimmer modules (see page 108) and self-assemble for total flexibility

Premium White	Premium Black				
WDQ1S	WDL1S	1-Gang Dimmer Kit (Single Plate)	S,M,L	400	1000
WDQD1S	WDL1S	1-Gang Dimmer Kit (Twin Plate)	S,M,L,XL	600	1200
WDQ2S	WDL2S	2-Gang Dimmer Kit (Single Plate)	S	400	1000
WDQD2S	WDL2S	2-Gang Dimmer Kit (Twin Plate)	S,M,L	600	1200
WDQD3S	WDL3S	3-Gang Dimmer (Twin Plate)	S,M	600	1200
WDQD4S	WDL4S	4-Gang Dimmer (Twin Plate)	S	600	1200

V-PRO Smart Dimmers (See page 76 for more information)

Cat No.

Push On/Off Dimmers with WIFI control

Premium White	Premium Black	
JDQSM101S	JDLSM101S	1-Gang (2-Way with slave) Master Smart Wifi Dimmer 1x 100W LED Supla
JDQSM102S	JDLSM102S	2-Gang (2-Way with slave) Master Smart Wifi Dimmer 2x 100W LED Supla

Push On/Off Dimmers without WIFI control

JDQM101S	JDLM101S	1-Gang (2-Way with slave) Master Smart Dimmer 1x 100W LED
JDQM102S	JDLM102S	2-Gang (2-Way with slave) Master Smart Dimmer 2x 100W LED

Use V-Pro Smart Slaves in conjunction with the above products (for use on 2-Way / Multi-Way Circuits)

JDQS1S	JDLS1S	1-Gang Slave Smart Dimmer LED (for use with V-Pro Smart Master Dimmers on 2-Way)
JDQS2S	JDLS2S	2-Gang Slave Smart Dimmer LED (for use with V-Pro Smart Master Dimmers on 2-Way)

V-DIM 2-Way Standard Series Dimmers

HDQ3S	HDL3S	1-Gang 2-Way Push-on Push-off Dimmer 1x 60-400W
-------	-------	---

V-PRO Professional Series Dimmers

JDQP401S	JDLP401S	1-Gang 2-Way Push on Push-off LED Dimmer 1x 0-120W (Max 10 LEDs)
JDQP252S	JDLP252S	2-Gang 2-Way Push on Push-off LED Dimmer 2x 0-120W (Max 10 LEDs)
JDQDP303S	JDLP303S	3-Gang 2-Way Push on Push-off LED Dimmer 3x 0-120W (Max 10 LEDs) (Twin Plate)
JDQDP254S	JDLP254S	4-Gang 2-Way Push on-off LED Dimmer 4x 0-120W (Max 10 LEDs) (Twin Plate)

V-PRO-IR Professional Series Remote Control Dimmers

IJDQ1101S	IJDL1101S	1-Gang 1-Way Remote Control/Touch Master LED Dimmer 1x 0-100W (Max 10 LEDs)
IJDQ1102S	IJDL1102S	2-Gang 1-Way Remote Control/Touch Master LED Dimmer 2x 0-100W (Max 10 LEDs)

Use touch control dimming slaves in conjunction with above products on 2-Way / Multi-Way Circuits (replace "11" in above code with "50" eg IJC1101 becomes IJCS001)

V-PRO MULTI-POINT REMOTE Professional Series Remote Control Dimmers featuring

JDQE101S	JDLE101S	1-Gang Multi-Way Remote Control/Touch Master LED Dimmer 1x 0-100W (Max 10 LEDs)
JDQE102S	JDLE102S	2-Gang Multi-Way Remote Control/Touch Master LED Dimmer 2x 0-100W (Max 10 LEDs)
JDQE103S	JDLE103S	3-Gang Multi-Way Remote Control/Touch Master LED Dimmer 3x 0-100W (Max 10 LEDs)
JDQE104S	JDLE104S	4-Gang Multi-Way Remote Control/Touch Master LED Dimmer 4x 0-100W (Max 10 LEDs)

Use V-Pro Multi-Point touch control dimming slaves in conjunction with above products on 2-Way / Multi-Way Circuits

JDQES001S	JDLES001S	1-Gang Touch Control Dimming Slave for use with V-Pro Multi-Point Master only
JDQES002S	JDLES002S	2-Gang Touch Control Dimming Slave for use with V-Pro Multi-Point Master only
JDQES003S	JDLES003S	3-Gang Touch Control Dimming Slave for use with V-Pro Multi-Point Master only (Twin Plate)
JDQES004S	JDLES004S	4-Gang Touch Control Dimming Slave for use with V-Pro Multi-Point Master only (Twin Plate)

Use optional controllers below to control V-Pro IR and V-Pro Multi-Point Dimmers

YRC8	8 Button infrared remote control handset
YRE8	LightScene scene-setting remote control handset



BRITISH MADE

Premium White & Black screwless Flat Plate

Cat No.

Screwless PowerGrid Plates (Integrated yoke for ease of ordering) - see page 110 for inserts

Premium White	Premium Black	
XDQPGY1S	XDLPGY1S	1-Gang Grid Plate including Yoke (Single Plate)
XDQPGY2S	XDLPGY2S	2-Gang Grid Plate including Yoke (Single Plate)
XDQPGY3S	XDLPGY3S	3-Gang Grid Plate including Yoke (Twin Plate)
XDQPGY4S	XDLPGY4S	4-Gang Grid Plate including Yoke (Twin Plate)

Switches

Premium White	Premium Black	
XDQ15	XDL15	1-Gang 10A 1 or 2-Way Rocker Switch
XDQ25	XDL25	2-Gang 10A 1 or 2-Way Rocker Switch
XDQ35	XDL35	3-Gang 10A 1 or 2-Way Rocker Switch
XDQ93S	XDL93S	3-Gang 10A 1 or 2-Way Rocker Switch (Twin Plate)
XDQ95	XDL95	4-Gang 10A 1 or 2-Way Rocker Switch (Twin Plate)
XDQ96S	XDL96S	6-Gang 10A 1 or 2-Way Rocker Switch (Twin Plate)
XDQB15	XDLB15	1-Gang 10A 1-Way Push-to-Make Retractive Rocker Switch
XDQR15	XDLR15	1-Gang 10A 2-Way & Off Retractive Switch
XDQ75	XDL75	1-Gang Intermediate Rocker Switch
XDQ71S	XDL71S	2-Gang Intermediate Switch + 10A 1 or 2-Way Rocker Switch
XDQ77S	XDL77S	2-Gang Intermediate Switch

Toggle Switches

XDQT1S	XDLT1S	1-Gang 10A 1 or 2-Way Toggle Switch
XDQT2S	XDLT2S	2-Gang 10A 1 or 2-Way Toggle Switch
XDQT3S	XDLT3S	3-Gang 10A 1 or 2-Way Toggle Switch
XDQT7S	XDLT7S	1-Gang Intermediate Toggle Switch
XDQT71S	XDLT71S	2-Gang 10A Intermediate Switch + 10A 1 or 2-Way Toggle Switch
XDQT77S	XDLT77S	2-Gang 10A Intermediate Toggle Switch
XDQT9S	XDLT9S	4-Gang 10A 1 or 2-Way Toggle Switch

Impulse Push Switches - Decorative wiring accessories

XDQP1S	XDLP1S	1-Gang 6A 1 or 2-Way Push-on Push-off Switch
XDQP2S	XDLP2S	2-Gang 6A 1 or 2-Way Push-on Push-off Switch
XDQP3S	XDLP3S	3-Gang 6A 1 or 2-Way Push-on Push-off Switch (Twin Plate)
XDQP4S	XDLP4S	4-Gang 6A 1 or 2-Way Push-on Push-off Switch (Twin Plate)

Momentary Push to Make Switches

XDQM1S	XDLM1S	1-Gang 6A 1-Way Push-to-Make Momentary Switch
XDQM2S	XDLM2S	2-Gang 6A 1-Way Push-to-Make Momentary Switch
XDQM3S	XDLM3S	3-Gang 6A 1-Way Push-to-Make Momentary Switch (Twin Plate)
XDQM4S	XDLM4S	4-Gang 6A 1-Way Push-to-Make Momentary Switch (Twin Plate)

Sockets

Premium White	Premium Black	
XDQ4WS	XDL4BS	1-Gang 13A Double Pole Switched Socket
XDQ5WS	XDL5BS	2-Gang 13A Double Pole Switched Socket
XDQ5UACWS	XDL5UACBS	2-Gang 13A Single Pole Switched Socket + 1x USB A + 1x USB C Charging Ports
XDQ5U2WS	XDL5U2BS	2-Gang 13A Unswitched Socket + 2x 5V DC 2100mA USB Charging Ports
XDQ5U2SWS	XDL5U2SBS	2-Gang 13A Single Pole Switched Socket with Metal Rockers + 2x 5V DC 2100mA USB Charging Ports
XDQ5VSW	XDL5VBS	2-Gang 13A Single Pole Switched Socket V-Pro Smart Wi-Fi Supla

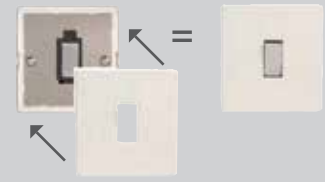
DataGrid Plate (For TV, Telephone, Data etc - See Data Grid Modules Page)

XDQG1S	XDLG1S	Decorative Grid Plate (1 Grid Space)
XDQG2S	XDLG2S	Decorative Grid Plate (2 Grid Spaces)
XDQG4S	XDLG4S	Decorative Grid Plate (3 or 4 Grid Spaces)

Other Accessories

Premium White	Premium Black	Decorative Inserts
XDQ8S	XDL8S	1-Gang TV Socket, Co-Axial
XDQSBS	XDLSBS	Single Blank Plate
XDQDBS	XDLDBS	Double Blank Plate
XDQ6DS	XDL6DS	13A Switched Fused Spur
XDQ6NDS	XDL6NDS	13A Switched Fused Spur + Neon
XDQ6UDS	XDL6UDS	13A Unswitched Fused Spur
XDQ6UFODS	XDL6UFODS	13A Unswitched Fused Spur + Flex Outlet
XDQFODS	XDLFODS	16A Flex Outlet Plate
XDQ20DS	XDL20DS	1-Gang 20A Double Pole Rocker Switch
XDQ20NDS	XDL20NDS	1-Gang 20A Double Pole Rocker Switch + Neon
Premium White	Premium Black	White or Black Inserts
XDQRP5AWS	XDLRP5ABS	1-Gang 5A Round Pin Socket
XDQFiWS	XDLFiBS	Fan Isolating Switch (3 Pole)
XDQSSWS	XDLSSBS	Dual Voltage Shaver Socket 230V/115V
XDQ45NS	XDL45NS	45A Cooker Switch + Neon (Vertical Twin Plate)
XDQ45PWS	XDL45PBS	45A Cooker Panel with 13A Switched Socket
XDQ45PNWS		45A Cooker Panel+ Neon with 13A Switched Socket
XDQ45SS	XDL45SS	45A Cooker Switch (Single Plate)
XDQU4WS	XDLU4BS	4-Gang 2.5V DC 4800mA USB Charging Port (Single Plate)

Many combinations of dimmers and switches can be made to order using "Varilight Bespoke" service



XDL15



XDQT15



XDLP4S



XDQ5WS



XDL5U2BS



XDQ6NDS



XDQU4WS

Screwless Flat Plate Range

BRITISH MADE

Ordering is
SIMPLE and EASY
First pick a **FINISH**
CODE from list below.
Next, pick a product
and 'code' the asterisk.

- S = Brushed Steel ★★☆☆
- B = Brushed Brass ★★☆☆
- C = Polished Chrome ★★☆☆
- V = Polished Brass ★★☆☆
- i = Iridium Black ★★☆☆
- M = Mocha ★★☆☆
- N = Satin Chrome ★★☆☆
- R = Pewter ★★☆☆
- Y_JS = Jubilee Steel Beaded Edge* ★☆☆☆
- Y_JB = Jubilee Brass Beaded Edge* ★☆☆☆



Matrix Dimmer Pack (See page 108 for modules)

Cat No.	Size of Module Permitted	Max Total Plate Wattage LED	Max Total Plate Wattage Halogen
Choose plate kit (fixing nut, dimmer knobs and spanner included)			
mix & match dimmer modules (see page 108) and self-assemble for total flexibility			
WD*1S	1-Gang Dimmer Kit (Single Plate)	S,M,L	400 1000
WD*D1S	1-Gang Dimmer Kit (Twin Plate)	S,M,L,XL	600 1200
WD*2S	2-Gang Dimmer Kit (Single Plate)	S	400 1000
WD*D2S	2-Gang Dimmer Kit (Twin Plate)	S,M,L	600 1200
WD*D3S	3-Gang Dimmer (Twin Plate)	S,M	600 1200
WD*D4S	4-Gang Dimmer (Twin Plate)	S	600 1200

V-PRO Smart Simply Connect Dimmers (See page 76 for more information)

Cat No.	
Push On/Off Dimmers with WIFI control	
JD*SM101S	1-Gang (2-Way with slave) Master Smart Wifi Dimmer 1x 100W LED Supla
JD*SM102S	2-Gang (2-Way with slave) Master Smart Wifi Dimmer 2x 100W LED Supla
Push On-Off Dimmers without WIFI control	
JD*M101S	1-Gang (2-Way with slave) Master Smart Dimmer 1x 100W LED
JD*M102S	2-Gang (2-Way with slave) Master Smart Dimmer 2x 100W LED
Use V-Pro Smart Slaves in conjunction with the above products (for use on 2-Way / Multi-Way Circuits)	
JD*S1S	1-Gang Slave Smart Dimmer LED (for use with V-Pro Smart Master Dimmers on 2-Way)
JD*S2S	2-Gang Slave Smart Dimmer LED (for use with V-Pro Smart Master Dimmers on 2-Way)

V-DIM 2-Way Standard Series Dimmers

HD*3S	1-Gang 2-Way Push-on Push-off Dimmer 1x 60-400W
-------	---

V-PRO Professional Series Dimmers

JD*P401S	1-Gang 2-Way Push-on Push-off LED Dimmer 1x 0-120W (Max 10 LEDs)
JD*P252S	2-Gang 2-Way Push-on Push-off LED Dimmer 2x 0-120W (Max 10 LEDs)
JD*DP303S	3-Gang 2-Way Push-on Push-off LED Dimmer 3x 0-120W (Max 10 LEDs) (Twin Plate)
JD*DP254S	4-Gang 2-Way Push-on/off LED Dimmer 4x 0-120W (Max 10 LEDs) (Twin Plate)

V-PRO-IR Professional Series Remote Control Dimmers

IJD*I101S	1-Gang 1-Way Remote Control/Touch Master LED Dimmer 1x 0-100W (Max 10 LEDs)
IJD*I102S	2-Gang 1-Way Remote Control/Touch Master LED Dimmer 2x 0-100W (Max 10 LEDs)

Use touch control dimming slaves in conjunction with above products on 2-Way / Multi-Way Circuits (replace "11" in above code with "S0" eg IJC101 becomes IJCS001)

V-PRO MULTI-POINT REMOTE Professional Series Remote Control Dimmers featuring

JD*E101S	1-Gang Multi-Way Remote Control/Touch Master LED Dimmer 1x 0-100W (Max 10 LEDs)
JD*E102S	2-Gang Multi-Way Remote Control/Touch Master LED Dimmer 2x 0-100W (Max 10 LEDs)
JD*E103S	3-Gang Multi-Way Remote Control/Touch Master LED Dimmer 3x 0-100W (Max 10 LEDs)
JD*E104S	4-Gang Multi-Way Remote Control/Touch Master LED Dimmer 4x 0-100W (Max 10 LEDs)

Use V-Pro Multi-Point touch control dimming slaves in conjunction with above products on 2-Way / Multi-Way Circuits

JD*ES001S	1-Gang Touch Control Dimming Slave for use with V-Pro Multi-Point Master only
JD*ES002S	2-Gang Touch Control Dimming Slave for use with V-Pro Multi-Point Master only
JD*ES003S	3-Gang Touch Control Dimming Slave for use with V-Pro Multi-Point Master only (Twin Plate)
JD*ES004S	4-Gang Touch Control Dimming Slave for use with V-Pro Multi-Point Master only (Twin Plate)

Use optional controllers below to control V-Pro IR and V-Pro Multi-Point Dimmers

YRC8	8 Button infrared remote control handset
YRE8	LightScene scene-setting remote control handset



Brushed Steel



Brushed Brass



Polished Chrome



Polished Brass



Iridium Black



Mocha



BRITISH MADE 

Screwless Flat Plate Range

Cat No. _____

Screwless PowerGrid Plates (Integrated yoke for ease of ordering) - see page 110 for inserts

XD*PGY1S	1-Gang Grid Plate including Yoke (Single Plate)
XD*PGY2S	2-Gang Grid Plate including Yoke (Single Plate)
XD*PGY3S	3-Gang Grid Plate including Yoke (Twin Plate)
XD*PGY4S	4-Gang Grid Plate including Yoke (Twin Plate)

Switches

XD*1S	1-Gang 10A 1 or 2-Way Rocker Switch
XD*2S	2-Gang 10A 1 or 2-Way Rocker Switch
XD*3S	3-Gang 10A 1 or 2-Way Rocker Switch
XD*93S	3-Gang 10A 1 or 2-Way Rocker Switch (Twin Plate)
XD*9S	4-Gang 10A 1 or 2-Way Rocker Switch (Twin Plate)
XD*96S	6-Gang 10A 1 or 2-Way Rocker Switch (Twin Plate)
XD*7S	1-Gang 10A Intermediate Rocker Switch
XD*BP1S	1-Gang 10A 1-Way Push-to-Make Retractive Rocker Switch
XD*R1S	1-Gang 10A 2-Way & Off Retractive Switch
XD*71S	2-Gang Intermediate Switch + 10A 1 or 2-Way Rocker Switch
XD*77S	2-Gang Intermediate Switch

Toggle Switches

XD*T1S	1-Gang 10A 1 or 2-Way Toggle Switch
XD*T2S	2-Gang 10A 1 or 2-Way Toggle Switch
XD*T3S	3-Gang 10A 1 or 2-Way Toggle Switch
XD*T7S	1-Gang Intermediate Toggle Switch
XD*T71S	2-Gang 10A Intermediate Switch + 10A 1 or 2-Way Toggle Switch
XD*T77S	2-Gang 10A Intermediate Toggle Switch
XD*T9S	4-Gang 10A 1 or 2-Way Toggle Switch

Impulse Push Switches - Decorative wiring accessories

XD*P1S	1-Gang 6A 1 or 2-Way Push-on Push-off Switch
XD*P2S	2-Gang 6A 1 or 2-Way Push-on Push-off Switch
XD*P3S	3-Gang 6A 1 or 2-Way Push-on Push-off Switch (Twin Plate)
XD*P4S	4-Gang 6A 1 or 2-Way Push-on Push-off Switch (Twin Plate)

Momentary Push to Make Switches

XD*M1S	1-Gang 6A 1-Way Push-to-Make Momentary Switch
XD*M2S	2-Gang 6A 1-Way Push-to-Make Momentary Switch
XD*M3S	3-Gang 6A 1-Way Push-to-Make Momentary Switch (Twin Plate)
XD*M4S	4-Gang 6A 1-Way Push-to-Make Momentary Switch (Twin Plate)

Sockets

White Inserts ☆	Black Inserts ★	Decorative Rockers
XD*4WS	XD*4BS	1-Gang 13A Double Pole Switched Socket
XD*5WS	XD*5BS	2-Gang 13A Double Pole Switched Socket Decorative Rocker
XD*5UACWS	XD*5UACBS	2-Gang 13A Single Pole Switched Socket + 1x USB A + 1x USB C Charging Ports
XD*5U2WS	XD*5U2BS	2-Gang 13A Unswitched Socket + 2x 5V DC 2100mA USB Charging Ports
XD*5U2SWS	XD*5U2SBS	2-Gang 13A Single Pole Switched Socket with Metal Rockers + 2x 5V DC 2100mA USB Charging Ports
XD*5VSWS	XD*5VSBS	2-Gang 13A Single Pole Switched Socket V-Pro Smart Wi-Fi Supla

DataGrid Plate (For TV, Telephone, Data etc - See Data Grid Modules Page)

XD*G1S	Decorative Grid Plate (1 Grid Space)
XD*G2S	Decorative Grid Plate (2 Grid Spaces)
XD*G4S	Decorative Grid Plate (3 or 4 Grid Spaces)

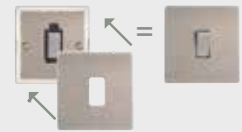
Other Accessories

XD*8S	1-Gang TV Socket, Co-Axial	
XD*5BS	Single Blank Plate	
XD*DBS	Double Blank Plate	
XD*6DS	13A Switched Fused Spur	
XD*6NDS	13A Switched Fused Spur + Neon	
XD*6UDS	13A Unswitched Fused Spur	
XD*6UFODS	13A Unswitched Fused Spur + Flex Outlet	
XD*FODS	16A Flex Outlet Plate	
XD*20DS	1-Gang 20A Double Pole Rocker Switch	
XD*20NDS	1-Gang 20A Double Pole Rocker Switch + Neon	
XD*45NS	45A Cooker Switch + Neon (Vertical Twin Plate, Red Rocker)	
XD*45SS	45A Cooker Switch (Single Plate, Red Rocker)	
White Inserts ☆	Black Inserts ★	
XD*RP2AWS	XD*RP2ABS	1-Gang 2A Round Pin Socket
XD*RP5AWS	XD*RP5ABS	1-Gang 5A Round Pin Socket
XD*FIWS	XD*FIBS	Fan Isolating Switch (3 Pole)
XD*SSWS	XD*SSBS	Dual Voltage Shaver Socket 230V/115V
XD*45PWS	XD*45PBS	45A Cooker Panel with 13A Switched Socket
XD*45PNWS	XD*45PNBS	45A Cooker Panel + Neon with 13A Switched Socket
XD*U4WS	XD*U4BS	4-Gang 2.5V DC 4800mA USB Charging Port (Single Plate)

Many combinations of dimmers and switches can be made to order using "Varilight Bespoke" service

Ordering is
SIMPLE and EASY
First pick a FINISH
CODE from list below.
Next, pick a product
and 'code' the asterisk.

- S = Brushed Steel ★☆☆
- B = Brushed Brass ★☆☆
- C = Polished Chrome ★☆☆
- V = Polished Brass ★☆☆
- i = Iridium Black ★
- M = Mocha ★
- N = Satin Chrome ★☆☆
- R = Pewter ★
- Y_JS = Jubilee Steel Beaded Edge* ☆
- Y_JB = Jubilee Brass Beaded Edge* ☆



XD5SWS



XDV5U2WS



XDB5VSWS



Satin Chrome



Pewter



Jubilee Steel



Jubilee Brass

CU29 Range

BRITISH MADE



XDY1S.AC



XDY5WS.AC

Ordering is
SIMPLE and EASY

First pick a **FINISH CODE** from list below.
Next, pick a **product** and 'code' the asterisk.

LIMITED RANGE

Lily Pastel Colours (white inserts)

- BG = Beryl Green
- DB = Duck Egg Blue
- RP = Rose Pink
- WC = White Chocolate

Lily Primary Colours

- BPR = Pillar Box Red with Black Inserts (for safety protection)
- WRB = Reflex Blue with White Inserts



JYP401RP



XY5U2WDB



XY1WWC



XY6UBPR



XY5WRB

29 Raw Copper



Raw Copper Destroys Viruses & Bacteria

Raw copper works 24/7 to destroy viruses and bacteria in minutes, helping to reduce the spread of infections, which makes this range ideal for healthcare and domestic environments. Unless regularly cleaned, each switch or socket from the VARILIGHT Cu29 Raw Copper range will develop a unique patina to complement both vintage and contemporary interiors.

Cat No.

CU29 Wiring Accessories

JDYP401S.AC	1-Gang 2 Way Push-On/Off Rotary LED Dimmer 1x 0-120W (1-10 LEDs)
JDYP252S.AC	2-Gang 2 Way Push-On/Off Rotary LED Dimmer 2x 0-120W (1-10 LEDs)
XDY1S.AC	1-Gang 10A 1 or 2-Way Rocker Switch
XDY2S.AC	2-Gang 10A 1 or 2-Way Rocker Switch
XDY3S.AC	3-Gang 10A 1 or 2-Way Rocker Switch
XDY4WS.AC	1-Gang 13A Switched Socket
XDY5WS.AC	2-Gang 13A Switched Socket
XDY5U2WS.AC	2-Gang 13A Unswitched Socket + 2x 5V DC 2100mA USB Charging Ports
XDY7S.AC	1-Gang 10A Intermediate Rocker Switch
XDY8S.AC	1-Gang TV Socket, Co-Axial
XDY9S.AC	4-Gang 10A 1 or 2-Way Rocker Switch (Twin Plate)
XDYDBS.AC	Double Blank Plate
XDYG1S.AC	DataGrid Plate (1 Grid Space)
XDYG2S.AC	DataGrid Plate (2 Grid Spaces)
XDYRP5AWS.AC	1-Gang 5A Round Pin Socket
XDYSBS.AC	Single Blank Plate

Lilly Range

BRITISH MADE

Cat No.

V-PRO Professional Series Dimmers

Best for
LED

JYP401**	1-Gang 2-Way Push-on Push-off LED Dimmer 1x 0-120W (Max 10 LEDs)
JYP252**	2-Gang 2-Way Push-on Push-off LED Dimmer 2x 0-120W (Max 10 LEDs)

Matrix Dimmer Pack (See page 108 for modules)

Cat No.	Size of Module Permitted	Max Total Plate Wattage LED	Max Total Plate Wattage Halogen
---------	--------------------------	-----------------------------	---------------------------------

Choose plate kit (fixing nut, dimmer knobs and spanner included)

mix & match dimmer modules (see page 108) and self-assemble for total flexibility

WY1**	1-Gang Dimmer Kit (Single Plate)	S,M,L	400	1000
WY2**	2-Gang Dimmer Kit (Single Plate)	S	400	1000
WYD3**	3-Gang Dimmer Kit (Twin Plate)	S,M	600	1200
WYD4**	4-Gang Dimmer Kit (Twin Plate)	S	600	1200

Wiring Accessories

Lily Pastels	Lily Primary	
XY1W**	XY1**	1-Gang 10A 1 or 2-Way Rocker Switch
XY2W**	XY2**	2-Gang 10A 1 or 2-Way Double Pole Rocker Switch
XY3W**	XY3**	3-Gang 10A 1 or 2-Way Rocker Switch
XY9W**	XY9**	4-Gang 10A 1 or 2-Way Rocker Switch (Twin Plate)
XY7W**	XY7**	1-Gang 10A Intermediate Rocker Switch
XY4W**	XY4**	1-Gang 13A Double Pole Switched Socket
XY5W**	XY5**	2-Gang 13A Double Pole Switched Socket
XY5U2W**	XY5U2**	2-Gang 13A Unswitched Socket + 2x 5V DC 2100mA USB Charging Ports
XY5U2SW**	XY5U2S**	2-Gang 13A Single Pole Switched Socket + 2x 5V DC 2100mA USB Charging Ports
XY5UACW**	XY5UAC**	2-Gang 13A Single Pole Switched Socket with 1x USB A & 1x USB C Charging Ports
	XY6U**	13A Unswitched Fused Spur (Pillar Box Red Only)
	XY6W**	13A Switched Fused Spur
	XY6NW**	13A Switched Fused Spur + Neon
	XY20NW**	1-Gang 20A Double Pole Rocker Switch + Neon Indicator Light
	XY45N**	45A Cooker Switch + Neon (Vertical Twin Plate, Red Rocker)
	XY45PW**	45A Cooker Panel with 13A Switched Socket Outlet (Red Rocker)
	XY45S**	45A Cooker Switch (Single Plate, Red Rocker)
	XYFIW**	Fan Isolating Switch (3 Pole)
	XYRP5AW**	1-Gang 5A Round Pin Socket
	XY8**	1-Gang TV Socket, Co-Axial
	XYG1**	DataGrid Plate (1 Grid Space)
	XYG2**	DataGrid Plate (2 Grid Spaces)
	XYG4**	DataGrid Twin Plate (4 Grid Spaces)
	XYSSW**	Dual Voltage Shaver Socket 230V/115V
	XYSB**	Single Blank Plate
	XYDB**	Double Blank Plate



BRITISH MADE

Transformers

Compatible with ALL Varilight dimmers

Features:

- Unique Internal Architecture enables many VARILIGHT transformers to be used together on one dimmable circuit
- Can be used to dim very low loads such as LEDs which can be driven with a 12V AC input (see below for applicable models)
- Fully reversible short circuit, Thermal and Overload protection + protection for complete lamp failure (zero watt loading)
- Ultra cool running, captive screws, compact size and robust terminals for easy installation

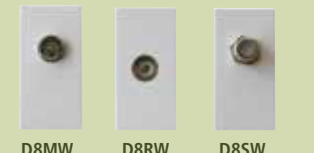
Cat No.

Low Voltage Transformers and LED Drivers

YT50LZ	0-50W Low Voltage Transformer with Input and Output leads (Suitable for 25W of LEDs)
YT70Z	0-70W Low Voltage Transformer with Terminals (Suitable for 35W of LEDs)
YT70LZ	0-70W Low Voltage Transformer with Input and Output leads (Suitable for 35W of LEDs)
YT105Z	0-105W Low Voltage Transformer with Terminals
YT150Z	0-150W Low Voltage Transformer with Terminals
YT210Z	0-210W Low Voltage Transformer with Terminals
YT40DC12	240V AC to 12V DC dimmable converter for LED strip (Maximum 40W)
YT40DC24	230V AC to 24V DC dimmable converter for LED strip (Maximum 40W)
YTACDC	12V AC to 12V DC Dimmable Converter for LED strip (for use with Dimmable LV Transformers)



The Varilight YT210Z



DataGrid modules

For plates see relevant pages for Decorative DataGrid Plates

Cat No. Grid Spaces

DataGrid+ Data Modules

White	Black		
DHBW	DHBB	Half Blank Plate	0.5
DSBW	DSBB	Single Blank Plate	1
DDBW	DDBB	Double Blank Plate	2
DBRHW	DBRHB	Brush Module	1
DBRSW	DBRSB	Brush Module	2
DBRDW	DBRDB	Brush Module	4
DRJ456W	DRJ456B	RJ45 Cat 6 Module (1 Grid Space)	1
DRJ11W	DRJ11B	RJ11 Module	1
DTMW	DTMB	Telephone Master Module	1
DTSW	DTSB	Telephone Secondary Module	1
D8W	D8B	TV Outlet, Female, PAL coaxial	1
D8iSOW	D8iSOB	TV Outlet, Female, Isolated	1
D8MW	D8MB	TV Outlet, Male, PAL coaxial	1
D8RW	D8RB	TV Outlet, Female, Screened Return, PAL Coax	1
D8SW	D8SB	Satellite TV Outlet, F Type	1
DHDMIW	DHDMIB	HDMI TV Outlet	1
DTVFMW	DTVFMB	Diplex Module, TV/FM (+DAB)	2
	DTRiB	Triplex Module TV/Sat/FM (+DAB)	2
DQUAW	DQUAB	Quadplex Module TV/2x Sat/FM (+DAB)	2
D5XW	D5XB	5 Outlet Module Sat x 2/TV/Screened Return/FM (+DAB)	3
	DBNCB	BNC Module, Female (CCTV)	1
DPHW	DPHB	Phono (RCA) Socket, Female	1
DPH2W	DPH2B	Twin Phono (RCA) Socket, Female	1
DPH3W	DPH3B	Triple Phono (RCA) Socket, Female	1
DSP2W	DSP2B	Speaker Module (2 gold plated banana or cable binding posts)	1
DSP4W	DSP4B	Speaker Module (4 gold plated banana or cable binding posts)	2
DSVGAW	DSVGAB	SVGA Outlet	1
DUSBAW	DUSBAB	USB-A Outlet (non charging)	1

DataGrid+ Power Modules

White	Black		
DSUKW	DSUKB	13A UK Socket Unswitched	2
DUSBACW	DUSBACB	Double USB A+C Charger 3600mA	2
DRP5AW	DRP5AB	5A 3 Round Pin Socket	2
DSEUFW	DSEUFB	16A Euro Socket Schuko	2
DSE4FW	DSE4FB	16A Euro Socket Pin Earth	2

DataGrid+ Dimmer Modules for Earthed Eurodata Plates

White	Black		
		Intelligent Series Dimmers	
DIP400W	DIP400B	2-Way Push-on/off Rotary 40-400W Dimmer	
		Commercial Series Dimmers	
DKP100W	DKP100B	2-Way Push-on/off Rotary 10-100W LED Dimmer (Max 10 LEDs)	
DKP180W	DKP180B	2-Way Push-on/off Rotary 10-180W LED Dimmer (Max 20 LEDs)	

Kilnwood Range

BRITISH MADE

Ordering is
SIMPLE and EASY
First pick a **FINISH CODE** from list below.
Next, pick a product and 'code' the asterisk.

OB	= Oak	Black insert
OW	= Oak	White insert
MO	= Medium Oak	Black insert
MB	= Mahogany	Black insert
A	= Ash	White insert
LO	#= Limed oak	White insert
BE	#= Scandic beech	White insert

#£1.00 supplement per plate



HK30



XKT1M



XK4AW



HK3BE



XK1MOB



XKB10



XKB20V

The Kilnwood range is a comprehensive range of wooden wiring accessories to suit a variety of interiors, which are hand-crafted in Sussex using both modern and traditional techniques. All of the wood used for our Kilnwood collection is of the highest grade and is from sustainable sources. All of the wood used can be traced to source.



Cat No

Dimmer Switches

HK3*	1x 400W 2-Way Push-On Push-Off Dimmer
HK4*	2x 250W 2-Way Push-On Push-Off Dimmer
HK43*	3x 250W 2-Way Push-On Push-Off Dimmer
HK44*	4x 250W 2-Way Push-On Push-Off Dimmer (Twin Plate)

Dimmer Switches

JK1*	1-Gang 2-Way Push-on Push-off LED Dimmer 1x 0-120W (Max 10 LEDs)
JK2*	2-Gang 2-Way Push-on Push-off LED Dimmer 2x 0-120W (Max 10 LEDs)

Switches and Sockets

XK1*	1-Gang 10A 1/2-Way Rocker Switch
XK2*	2-Gang 10A 1/2-Way Rocker Switch
XK3*	3-Gang 10A 1/2-Way Rocker Switch
XK4*	1-Gang 13A Double Pole Switched Socket
XK5*	2-Gang 13A Double Pole Switched Socket
XK5U2*	2-Gang 13A Unswitched Socket + 2x 5V DC 2100mA USB Charging Ports
XK5U2S*	2-Gang 13A Switched Socket + 2x 5V DC 2100mA USB Charging Ports
XKRP5*	1 Gang 5A Round Pin Socket
XK8*	1-Gang Co-axial TV Socket
XK6*	13A Switched Fused Spur
XK7*	1-Gang 10A Intermediate Rocker Switch
XK71*	2-Gang 10A Intermediate Switch + 10A 1/2-Way Rocker Switch
XK77*	2-Gang 10A Intermediate Rocker Switch
XKFi*	10A Fan Isolating Switch (3 Pole)
XK20*	1-Gang 20A Double Pole Rocker Switch
XK45P*	45A Cooker Panel with 13A Double Pole Switched Socket Outlet (Red Rocker)
XK45N*	45A Cooker Switch + Neon (Vertical Twin Plate, Red Rocker)
XK45S*	45A Cooker Switch (Single Plate, Red Rocker)
XKSB*	Single Blank Plate
XKDB*	Double Blank Plate
XKBOXD*	Double 25mm Wall Box Surround
XKBOXS*	Single 25mm Wall Box Surround
XKG1*	DataGrid Plate (1 Grid Space)
XKG2*	DataGrid Plate (2 Grid Spaces)
XKSS*	Dual Voltage Shaver Socket 240V/115V
XKT1*	1-Gang 10A 1/2-Toggle Switch
XKT2*	2-Gang 10A 1/2-Toggle Switch
XKT3*	3-Gang 10A 1/2-Way Toggle Switch
XKT9*	4-Gang 10A 1/2-Way Toggle Switch
XKT71*	2-Gang 2-Way + Intermediate Toggle Switch
XKT77*	2-Gang Intermediate Toggle Switch

The Beech range has a chrome trim.

Many other products, ranges and styles are available in addition to the stock items above on a made to order basis. Contact branch for details.

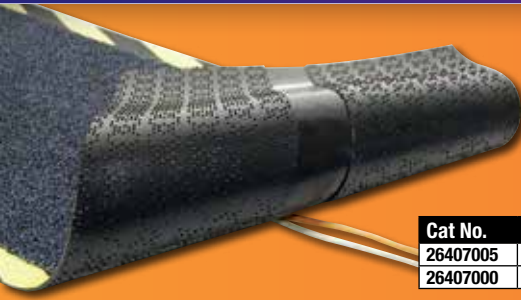
BAKELITE RANGE



Heritage Bakelite Switches

XKB10	1-Gang 6A 1/2-Way Bakelite Dome Switch with Oak Base (Single Wall Box)
XKB20H	2-Gang 6A 1/2-Way Bakelite Dome Switch with Oak Base Horizontal (Twin Wall Box)
XKB20V	2-Gang 6A 1/2-Way Bakelite Dome Switch with Oak Base Vertical (Single Wall Box)
XKB30H	3-Gang 6A 1/2-Way Bakelite Dome Switch with Oak Base Horizontal (Twin Wall box)
XKB30V	3-Gang 6A 1/2-Way Bakelite Dome Switch with Oak Base Vertical (Single Wall Box)
XKB40	4-Gang 6A 1/2-Way Bakelite Dome Switch with Oak Base (Twin Wall Box)

Available in other finishes upon request



CableMat Cable Protection Mats

Carpet Top - Indoor Use

- 10mm Pile Extremely durable nylon surface
- Anti-static
- Overall height: approx. 13mm
- Washable & Tumble dry up to 60°C
- Vacuum & Steam cleaning

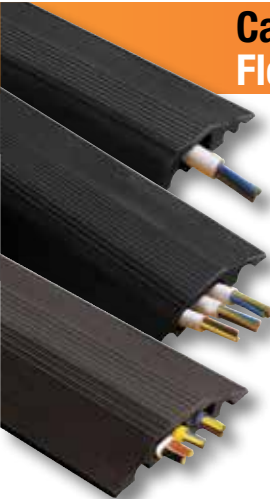
Cat No.	Description
26407005	Cablemat Rubber 40x120cm
26407000	Cablemat Carpet 40x120cm

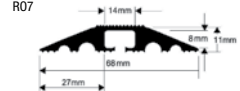


Rubber Top - Suitable for indoor & outdoor use

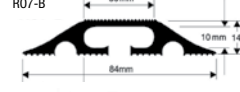
- Light resistant and suitable for underfloor heating
- Overall height: approx. 4.8mm

CableSafe Flexible Cable Protector

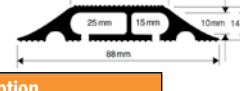




R07



R07-B

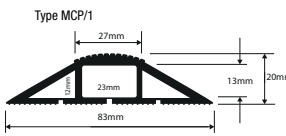


R06

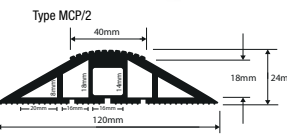
Cat No.	Description
R07	CableSafe Black 9m
R0-7B	CableSafe Black 9m
R06	CableSafe Black 9m

Snap Fit™ Multi Compartment Cable Protectors

Cat No.	Description
26400442	MCP/1 3m
26400440	MCP/1 9m
26400450	MCP/2 4.5m

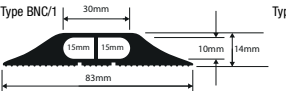


Type MCP/1

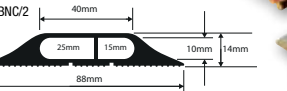


Type MCP/2

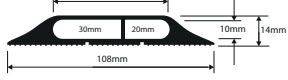
Cat No.	Description
26400402	BNC/1 Black 9m
26400403	BNC/1 Grey 9m
26400405	BNC/1 Black 3m
26400407	BNC/1 Grey 3m
26400415	BNC/2 Grey 3m
26400410	BNC/2 Black 9m
26400418	BNC/3 Black 4.5m
26400419	BNC/3 Grey 4.5m



Type BNC/1



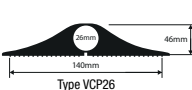
Type BNC/2



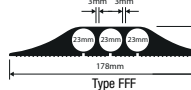
Type BNC/3

Industrial Cable Protector

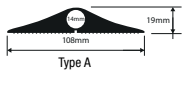
Cat No.	Description
26400600	Industrial A Black 9m
26400602	Industrial A Black 4.5m
26400610	Industrial F Black 9m
26400612	Industrial F Black 4.5m
26400620	Industrial FF Black 4.5m
26400630	Industrial FFF Black 4.5m
26400640	Industrial G Black 4.5m
26400670	Industrial J Black 1.5m
26400672	Industrial JJ Black 1.5m
26400655	Industrial VCP26 Black 4.5m



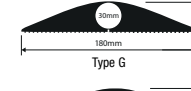
Type VCP26



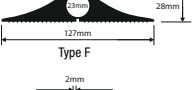
Type FFF



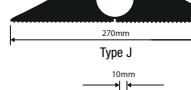
Type A



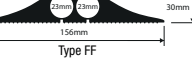
Type G



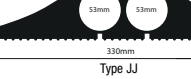
Type F



Type J



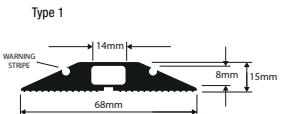
Type FF



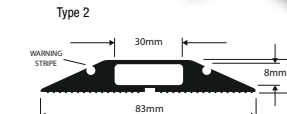
Type JJ

Snap Fit™ Hazard Warning Flexible Cable Protectors

Cat No.	Description
26400300	HAZ/1 Black/Yellow 9m
26400310	HAZ/2 Black/Yellow 9m
26400311	HAZ/2 Black/Yellow 3m




Type 1




Type 2

Heavy Duty Cable Protectors



HDCVP/2



HDCVP/3

Cat No.	Description
26400782	HDCVP/2 Black/Yellow 1m
26400802	HDCVP/3 Black/Yellow 1m

Temporary Traffic Calming Cable Protectors

Cat No.	Description
26400700	TTC/1 Black/Yellow 4.5m
26400710	TTC/2 Black/Yellow 4.5m
26400720	TTC/3 Black/Yellow 1.5m
26400740	TTC/4 Black/Yellow 1.5m



Type TTC/1



Type TTC/2



Type TTC/3



Type TTC/4



POWER SOLUTIONS FOR ANY APPLICATION

REEL PRO

This uniquely designed and patented Reel Pro range is built to last and made from tough, impact resistant plastic.

The cassette reels feature friction free technology for easy wind and unwind use.

Cat. no.	
CP0413	13A 4G 4m Cassette
CP0813	13A 4G 8m Cassette
RP1513	13A 4G 15m
RP2010	10A 4G 20m



CT RANGE

Perfect for everyday home power requirements!

Cat. no.	
CT0413T	13A 2G 4m - Cassette
CT1013	13A 4G 10m - Cassette
CT1513	13A 4G 15m
CT2513	13A 4G 25m
CTH2513	13A 4G 25m Open Drum
CTH5013	13A 4G 50m Open Drum



REEL PRO TEST REEL



Cat. no.	
RPEWT50	50m Earth Wire Testing

CT GARDEN REELS



Cat. no.	
CT1010	10A 4G 10m - Cassette
CT2010	10A 4G 20m

CT WEATHERPROOF



Cat. no.	
CT2013WP	13A 2G 20m IP54

EXTENSION LEADS, PLUGS & ADAPTORS ALSO AVAILABLE

CONTACT US FOR MORE INFORMATION



1020
CLINICAL
Midi-wipes
Disinfectant Surface
Wipes (200 pack)



- EN13727, EN1276 & EN14476
- 99.999% bacterial kill in 30 seconds
- Kills SARS-CoV-2, the virus that causes Covid-19, in 60 seconds
- Dermatologically tested

Also available:



1021
CLINICAL
Midi-wipes (100 pack)
Disinfectant Surface Wipes



1025
HAND & SURFACE
Midi-wipes (100 pack)
Hand & Surface Disinfectant Wipes



MIDI WALL DISPENSER
Holds 1x 200 pack or 2x 100 pack
of Uniwipe Midi range.
Comes with self-adhesive pads
and screw holes for mounting



**UltraGrime PRO Multiuse
XXL+ Clothwipes**

**BIGGER.
WETTER.
STRONGER.**



- 100 XXL+ Clothwipes
- Huge size – 38cm x 25cm
- Removes Grime, Oil, Paint, Silicone, Foam and more!
- Stays wet and useable for over an hour
- Dermatologically tested. Safe on Skin

Also available:

5940
UltraGrime
Biodegradable
100% Biodegradable



5930
UltraGrime
Antibacterial
Bactericidal & Virucidal



5920
UltraGrime
Power Scrub
Textured & Smooth





THE WORLD LEADER IN LADDERS™



FIBREGLASS STEPLADDERS



150KG
MAX. LOAD

(Load includes user, tools, materials, etc.)

- Fibreglass and aluminium
- Non-conductive fibreglass sites
- Heavy duty spreaders
- Edge moulded brace & foot pad combination

Cat no.	Treads	Top Tread/Platform Height (m)
716 SERIES SWINGBACK		
7160418	4	1.12
7160518	5	1.40
7160618	6	1.67
7160818	8	2.23
7161018	10	2.79
7161218	12	3.34
717 SERIES SWINGBACK		
7170418	4	0.94
7170518	5	1.17
7170618	6	1.41
7170818	8	1.87
7171018	10	2.33
7171218	12	2.80

FIBREGLASS PLATFORM STEPLADDERS



150KG
MAX. LOAD

(Load includes user, tools, materials, etc.)

- Twin handrails for added safety during use
- Safety chain for extra security when working
- Extra-large platform for a secure work area
- Ideal for use around electricity

Cat no.	Treads	Top Tread/Platform Height (m)
MEGASTEP SERIES		
30090218	2	1.12
30090418	4	1.40
30090618	6	1.67
30090818	8	2.23

ALUMINIUM WORK PLATFORMS



no tools required

136KG
MAX. LOAD

(Load includes user, tools, materials, etc.)

- 10 different height positions to accommodate all types of job requirements
- Height adjustment allows the platform to be set on uneven surfaces or stairways
- Lightweight aluminium design
- Folds completely flat with the compacted depth of just 11cm for easy storage and transportation

Cat no.	Platform Width (m)	Platform Length (m)	Weight
ADJUSTABLE & LINKABLE PRO WORK PLATFORM			
79024	0.36	1.17	10.43kg



- Folds completely flat for easy storage and transportation
- Large platform provides a non-slip work surface
- Easy-Grab handle makes it simple to carry your platform



- Ideal for working on uneven surfaces and stairways
- Configures to 10 different height positions
- Easy-Grab handle makes it simple to carry your platform
- Folds completely flat for easy storage and transportation

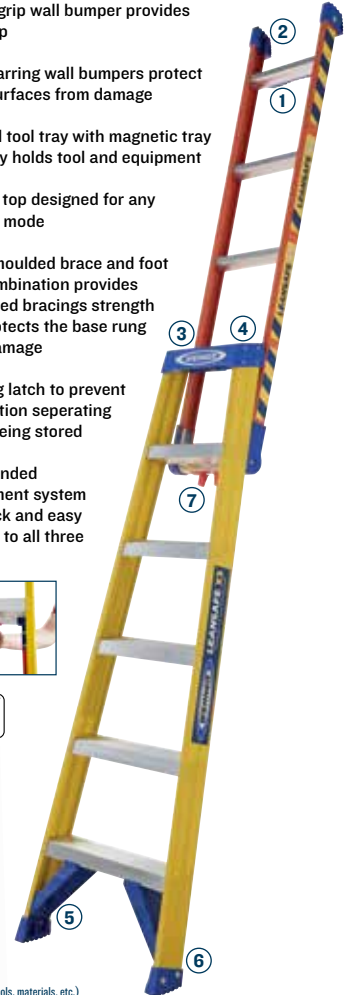
Cat no.	Platform Width (m)	Platform Length (m)	Weight
PRO WORK PLATFORM			
79025	0.3	1.15	6.6kg
ADJUSTABLE PRO WORK PLATFORM			
79023	0.35	1.16	9.75kg

COMBINATION LADDERS

LEANSAFE X3

PROFESSIONAL 3 IN 1 MULTI-PURPOSE LADDER

- ① Safety grip wall bumper provides firm grip
- ② Non-marring wall bumpers protect work surfaces from damage
- ③ Integral tool tray with magnetic tray securely holds tool and equipment
- ④ Unique top designed for any leaning mode
- ⑤ EDGE moulded brace and foot pad combination provides enhanced bracings strength and protects the base rung from damage
- ⑥ Locking latch to prevent the section separating when being stored
- ⑦ One-handed adjustment system for quick and easy change to all three modes



150KG
MAX. LOAD

(Load includes user, tools, materials, etc.)

Cat no.	Mode	Open Length (m)	Safe Working Height (m)
LEANSAFE X3 FIBREGLASS MULTI-PURPOSE LADDER			
75071	Leaning	1.80	2.85
	Stepladder	1.80	3.13
	Extension	2.90	3.70
LEANSAFE X3 ALUMINIUM MULTI-PURPOSE LADDER			
75070	Leaning	1.80	2.85
	Stepladder	1.80	3.13
	Extension	2.90	3.70

